

BILL NO.: 17-0330

ORDINANCE NO.: 17- 0218

INTRODUCED BY: COUNCIL MEMBER (s) Reuter

1 **AN ORDINANCE AWARDDING BIDS FOR CERTAIN PRODUCTS AND**
 2 **SERVICES TO THE LOWEST AND BEST BIDDERS AS REFLECTED IN THE**
 3 **RESPONSES TO CERTAIN INVITATIONS FOR BID AND REQUESTS FOR**
 4 **PROPOSALS FOR COUNTY JAIL LAUNDRY WASHER; AND**
 5 **AUTHORIZATION FOR THE COUNTY EXECUTIVE TO EXECUTE ANY**
 6 **NECESSARY AGREEMENTS OR CONTRACTS TO EFFECTUATE THE**
 7 **AWARD OF THE BIDS AND PROPOSALS.**

8 **WHEREAS**, Jefferson County, Missouri, (hereafter, the "County") in response to
 9 certain Invitations for Bids and Requests for Proposals issued by the County, received bids
 10 and proposals for the following items or services:

11	<u>BID NAME</u>
12	County Jail Laundry Washer
13	<u>NUMBER OF BIDS RECEIVED</u>
14	2
15	<u>DATE OF BID OPENING</u>
16	3-7-2017

17 **WHEREAS**, after reviewing the bids and proposals set forth above, the
 18 Department of Public Works has determined that certain bids and proposals represent the

FILED

APR 03 2017

RANDY B. HOLMAN
COUNTY CLERK, JEFFERSON COUNTY, MO

1 lowest and best bid for the respective items or services and met the bid or proposal
2 specifications issued by the County; and

3 **WHEREAS**, the Jefferson County, Missouri, Council finds it is in the best interest
4 of the County to award the bids and proposals to Loomis Brothers Equipment Company
5 for a term upon completion of installation upon approval by the County Council and
6 County Executive for **up to \$16,125.00 per purchase, for total amount not to exceed**
7 **\$16,125.00**, subject to budgetary limitations.

8 **BE IT ENACTED BY THE JEFFERSON COUNTY, MISSOURI, COUNCIL,**
9 **AS FOLLOWS:**

10 Section 1. The County awards the following bids and proposals which are
11 incorporated by this reference as if fully set out herein, to the lowest and best vendor(s)
12 bidding for each respective item or service as follows:

13 BID NAME

14 County Jail Laundry Washer

15 TERM

16 Upon completion of installation

17 Upon approval by the County Council and County Executive

18 AMOUNT

19 **Up to \$16,125.00 per purchase,**
20 **for total amount not to exceed \$16,125.00,**
21 **subject to budgetary limitations**

22 AWARDED BIDDER

1 Loomis Brothers Equipment Company

2 Section 2. The Jefferson County, Missouri, Council hereby authorizes the
3 County Executive to execute the agreement incorporated by Reference as Exhibit "A" and
4 any agreements or contracts necessary to effectuate the award of the bids and proposals set
5 forth in this Ordinance. The County Executive is further authorized to take any and all
6 actions necessary to carry out the intent of this Ordinance. An unexecuted copy of the
7 Agreement is attached hereto as Exhibit "A" and incorporated herein, by reference.

8 Section 3. Copies of all Invitations for Bid, Requests for Proposals, responses
9 thereto, and any contracts or agreements shall be maintained by the Department of the
10 County Clerk consistent with the rules and procedures for the maintenance and retention
11 of records as promulgated by the Secretary of State.

12 Section 4. This Ordinance shall be in full force and effect from and after its
13 date of approval. If any part of this Ordinance is invalid for any reason, such invalidity
14 shall not affect the remainder of this Ordinance.

THIS BILL BEING DULY INTRODUCED, THE MEMBERS OF THE JEFFERSON COUNTY, MISSOURI, COUNCIL VOTED AS FOLLOWS:

Council Member District 1, Don Bickowski	<u>yes</u>
Council Member District 2, Renee Reuter	<u>yes</u>
Council Member District 3, Robert Boyer	<u>yes</u>
Council Member District 4, Charles Groeteke	<u>yes</u>
Council Member District 5, Oscar J. "Jim" Kasten	<u>Abstain</u>
Council Member District 6, Daniel Stallman	<u>yes</u>
Council Member District 7, James Terry	<u>yes</u>

THE ABOVE BILL ON THIS 27th DAY OF March, 2017

PASSED FAILED



Renee Reuter, County Council Chair



Pat Schlette, Council Administrative Assistant

THIS BILL WAS ✓ APPROVED BY THE JEFFERSON COUNTY EXECUTIVE AND ENACTED AS AN ORDINANCE OF JEFFERSON COUNTY, MISSOURI, THIS 30TH DAY OF MARCH, 2017.

THIS BILL WAS _____ VETOED AND RETURNED TO THE JEFFERSON COUNTY, MISSOURI, COUNCIL WITH WRITTEN OBJECTIONS BY THE JEFFERSON COUNTY EXECUTIVE, THIS _____ DAY OF _____, 2017.

Kenneth B. Waller

Kenneth B. Waller, Jefferson County, Missouri, Executive

ATTEST:

Randy B. Holman

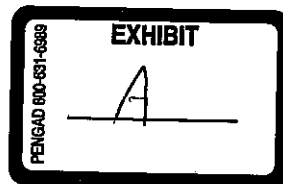
Randy B. Holman, County Clerk

BY: *Katherine E. Missey*

Reading Date: 03-27-2017



JEFFERSON COUNTY
DEPARTMENT OF ADMINISTRATIVE SERVICES
 729 MAPLE ST / PO BOX 100
 HILLSBORO MO 63050
 WWW.JEFFCOMO.ORG



BID #: 17-0020

Invitation for Bid: COUNTY JAIL LAUNDRY WASHER

Date Issued: 2-7-2017

BIDS SHALL BE ACCEPTED UNTIL: TUESDAY, MARCH 7, 2017, AT 2:00 P.M. LOCAL TIME.

Specification Contact:

JASON JONAS
 Department of Public Works
 636-797-5369
 jjonas@jeffcomo.org

Contract Contact:

VICKIE PRATT
 Department of Administrative Services
 636-797-5380

SAMPLE ENVELOPE

Mail (3) Three Complete Copies With Vendor And Bid Information As Shown In Sample:

<i>VENDOR NAME</i>	
<i>VENDOR ADDRESS</i>	
<i>CONTACT NUMBER</i>	DEPARTMENT OF THE COUNTY CLERK
	JEFFERSON COUNTY MISSOURI
	729 MAPLE ST / PO BOX 100
	HILLSBORO MO 63050-0100
SEALED BID: (BID NAME)	

Contract Term:
 UPON APPROVAL OF THE COUNTY COUNCIL AND COUNTY EXECUTIVE

The undersigned certifies that he/she has the authority to bind this company in an agreement/contract to supply the commodity or service in accordance with all terms, conditions, and pricing specified. This Bid, if accepted, will constitute an Agreement and Contract with Jefferson County, Missouri, upon approval of the County Council and County Executive. Prices are firm during this agreement term, unless agreed upon in writing by the County. The County has the option to renew this agreement at the same terms and conditions as the original agreement for one additional one-year term with the written consent of the successful Bidder. Price increases for renewals are not authorized unless approved in writing by the County.

Vendor Information:

Loomis Bros. Equipment Co.	Karan Presson
Company Name	Authorized Agent (Print)
409 Biltmore Drive	<i>Karan Presson</i>
Address	Signature
Fenton, MO 63026	Vice President
City/State/Zip Code	Title
(800) 783-6665	03/03/17 43-0742008
Telephone #	Date Tax ID #
sales@loomisbros.com	(636) 600-4950
E-mail	Fax #

TABLE OF CONTENTS:

Legal Notice and Invitation for Bid	Page 1
Table of Contents	Page 2
Bid Requirements	Page 3
Bid Response and Contract	Page 5
Affidavit	Page 9
Specifications	Page 11

REQUIRED DOCUMENTS

- 1. Current and valid Certificate of Insurance or binder showing required insurance coverage must be provided with each bid.
(County must be added as additional insured if awarded)**
- 2a. Proof that Bidder does not owe delinquent real or personal property in Jefferson County (tax receipts for past 3 years)
Obtain receipts at <http://jeffersonmo.devnetwedge.com>**
Or
- 2b. A notarized affidavit stating that the applicant does not own any real estate or personal property in Jefferson County on company letterhead.**
- 3. A Notarized affidavit of work authorization and current business entity status with E-verification documentation. (pages 9 & 10)**
- 4. Agreement to be executed by the County upon approval by the County Council and County Executive. (Bidder is required to complete company information and execute signature)**
- 5. Cooperative Bid Form (last page)**
- 6. All pages of the Invitation for Bid/Request for Proposal must be used when submitting your bid/proposal response along with initialing each page with the bid/proposal. Additional information may be included separately.**
- 7. Bid deposits/bonds must be in the exact amount as stipulated in the bid. (if required)**

***BIDS MAYBE REJECTED IF REQUIRED DOCUMENTATION IS NOT INCLUDED OR COMPLETED AT DISCRETION OF THE COUNTY**

1.0

BID REQUIREMENTS

Bidder shall initial all pages and return where the Bid Document denotes "BIDDER'S INITIALS: ____"

1.1 BID SUBMISSION:

Submit bid form in original (one original) and two (two copies) with all specification pages, if applicable. No facsimile or electronic bids shall be accepted and shall be rejected. The Vendor prior to the submission dead line as stated on page 1 must submit all bids. Late bids will not be accepted and returned to the vendor unopened. The County reserves the right to request additional written or oral information from Respondents in order to obtain clarification. A fully executed Affidavit is required by Section 285.530 RSMo and shall be submitted with the bid form. A copy of the Affidavit is attached hereto. Failure to execute the Affidavit shall result in the bid being rejected. Failure to comply with any provision, provide any required documentation, insurance forms or deposits or bonds in exact amounts or any other term or condition that is not in strict conformance shall result in the bid being rejected.

1.2 BASIS OF BID AWARD:

Award may be made on an item-by-item basis to the lowest and best Bidder(s) or award may be made to the lowest and best bid total, whichever provides the greatest value to the County from the standpoint of suitability to purpose, quality, service, previous experience, price, ability to deliver, or any other reason deemed to be in the best interest of the County. Quantities stated herein represent an estimate for the period stated. Orders shall be placed for actual requirements as needed. The County may reject any or all bids for any reason and may waive any informality. Bids submitted from a Missouri State Contract shall include a copy of the State Contract with the bid. Bid award does not constitute an order or obligation to order by the County. The issuance of a Purchase Order Number shall be construed as acceptance of a Contract with all terms, conditions, and prices firm during the length of the agreement terms.

1.3 BID AWARD:

It is further agreed that the Contract shall not be valid and binding upon the County until approved by the County Counselor, as to legal form and is subject to the Ordinances, Resolutions and Orders of Jefferson County, Missouri, and State and Federal Law. If no Bid or Bids have been awarded by the County Council within forty-five (45) days following the opening of the bids then all bids will be deemed Rejected.

1.4 BID PREPARATION:

1. Bidders are responsible for examination of drawings, specifications, schedules and instructions. Failure to do so will be at the Bidder's risk.
2. Each Bidder shall furnish the information required by the invitation. The Bidder shall sign all required documents. All deletions and erasures shall be initialed
3. Alternate bids for supplies or services other than specified shall not be considered unless authorized by invitation.
4. Bidder shall state a definite time for delivery of goods or for performance of services unless otherwise specified in the invitation for bid.
5. When specified, samples must be timely submitted and at no expense to the County.
6. Failure to adhere to all requirements may result in the response being disqualified as non-responsive.

1.5 MODIFICATION OR WITHDRAWAL OF BIDS:

Bids may be modified or withdrawn prior to the exact hour and date specified for receipt of bids, provided the modification or withdrawal is in writing and is delivered in the same manner as a bid submission.

1.6 LATE BIDS:

It is the responsibility of the Bidder to deliver his bid or bid modification on or before the date and time of the bid closing to the Department of the County Clerk. Bids received late will be rejected and returned unopened to the Bidder.

1.7 BID DEPOSITS/BONDS:

Bid Deposits/Bonds are not required unless specified in the specifications. Bid deposits/Bonds must be in the exact amount as stipulated in the bid.

1.8 MATERIAL AVAILABILITY:

Bidders must accept responsibility for verification of material availability, product schedules and other pertinent data prior to submission of bid and delivery time. It is the responsibility of the Bidder to notify the County immediately if the materials specified are discontinued, replaced, or not available for an extended period of time. All materials ordered by the County, shall be as needed. A sample of materials may be requested.

1.9 ALTERNATE BIDS:

Alternate Bids for items will be accepted except when stated "NO SUBSTITUTIONS". Bidders must submit complete specifications on all alternate bids with the bid form. Alternate bids without complete specifications may be rejected. Alternate bids and exceptions to bid clauses must be clearly noted on the bid form. The County may accept or reject alternate bids; whatever is most advantageous to the County.

1.10 INCORPORATION OF DOCUMENTS:

The terms of the Bid Invitation, Bid Specifications, Bid Form are and shall be incorporated into the contract as if fully setout therein. The Bid, if accepted and approved by the County Council and County Executive shall constitute the terms of a Contract or Agreement with Jefferson County, Missouri, subject to any further Amendments, Memoranda or other documents or specifications which must be set forth in writing and signed by all parties.

1.11 ADDENDA:

Addenda to bid specifications are incorporated by reference as if fully setout herein. It is the responsibility of the vendor to insure and verify that they are in receipt of and completed all attached addenda's prior to submission of bid forms. Verification is made by contacting the Office of Contracts and Grants at (636) 797-5380, or by reviewing the County Web Site. (www.jeffcomo.org).

1.12 INSURANCE:

The Vendor/Contractor shall purchase and maintain insurance with an insurance company licensed to do business in the State of Missouri or in the state where the vendor is incorporated or otherwise licensed to do business and which shall remain, at all times during the term of any contract with the County, in full force and effect. Preference will be given to a Vendor/Contractor who provides insurance with an insurance company licensed to do business in the State of Missouri, but in any event said Vendor/Contractor shall provide said insurance at its own expense. Such insurance shall be provided as will protect the Vendor/Contractor from claims which may arise out of or result from the Vendor/Contractor's execution of the work, whether such execution be by himself, his employees, agents, or by anyone for whose acts any of them may be liable. If any such work covered by the Contract is to be performed on County owned or leased premises, the Vendor agrees to carry liability and workman's compensation insurance, satisfactory to the County, and to indemnify the County against all liability, loss, and damage arising out of any injuries to persons and property caused by the Vendor, his sub-contractors, employees or agents. The insurance coverage shall be such as to fully protect the County and the general public from any and all claims for injury and damage resulting by any actions on the part of the Vendor/Contractor or its' forces as enumerated above. All policies must name the County as an additional insured and provide for thirty (30) days written prior to any material changes or cancellation. Any disputes regarding a breach, insurance amounts, liability, coverage, lapse or otherwise shall be litigated in the Circuit Court of Jefferson County, Missouri and the same shall be incorporated into any Contract agreed to by the parties.

THE COUNTY REQUIRES A CURRENT AND VALID CERTIFICATE OF INSURANCE OR BINDER SHOWING REQUIRED INSURANCE COVERAGE MUST BE PROVIDED WITH EACH BID. JEFFERSON COUNTY MUST BE ADDED AS AN ADDITIONAL INSURED AFTER AWARD OF THE BID. ANY LAPSE IN INSURANCE COVERAGE OR CANCELLATION THEREOF BY THE CONTRACTOR OR SUB-CONTRACTORS DURING THE TERMS OF THE CONTRACT SHALL IMMEDIATELY BE DEEMED A MATERIAL BREACH UNDER THE TERMS OF ANY CONTRACT.

- A. Required Not Required **Comprehensive General Liability Insurance**

The Vendor/Contractor shall maintain and keep in full force and effect during the terms of this Contract such comprehensive general liability insurance as shall protect them from claims which may arise from operations under this Contract, whether such operations be by themselves or by anyone directly or indirectly employed by them. The amounts of insurance shall be not less than \$1,000,000.00 combined single limit for any one occurrence covering both bodily injury and property damage, including accidental death.

- B. Required Not Required **Professional Liability Insurance**

The Vendor/Contractor shall provide the County with proof of Professional Liability Insurance, which shall protect the County against any and all claims, which might arise as a result of the operation of the Vendor/Contractor in fulfilling the terms of this Contract during the life of the Contract. The minimum amounts of such insurance will be \$1,000,000.00. Should any work be subcontracted, these limits will also apply.

- C. Required Not Required **Worker's Compensation Insurance:**
per Missouri Revised Statutes Chapter 287

The Vendor/Contractor or his sub-contractor or contractors, shall maintain and keep in force of this Contract such worker's compensation insurance limits as required by the statues of the State of Missouri and Employer's Liability with limits no less than \$500,000.00.

1.13 BID SUBMISSIONS

Bids submitted on separate forms are NOT acceptable unless specified in the Bid Document. Failure to complete bid forms to the satisfaction of the County may result in rejection of your bid. It is the responsibility of each Bidder before submitting a bid to examine ALL documents thoroughly, and request written or oral interpretation of clarifications soon after discovering any conflicts, ambiguities, errors, or omissions in the bidding documents. Request for clarification must be received prior to bid openings.

1.14 BID OPENINGS

Bids will be publicly opened and read aloud at the time indicated on page 1. The Bidders and the public are invited but not required to attend the formal opening of the bids. No decisions relating to the award of a contract or agreement will be made at the opening.

1.15 BID TABULATIONS

Bid Tabulations are not available for 5 to 7 business days following the Bid Opening. Bid submissions are open for public review at the time of the Bid Opening. Bid tabulations are posted on the County's web-site address, www.jeffcomo.org. **NO COPIES** of bid tabulations are sent to vendors.

2.0 BID RESPONSE AND CONTRACT

2.1 BIDDER REPRESENTATIONS:

The Bidder, by executing the Bid form certifies that:

- A. The bid complies with Invitation for Bid form and Bid Specifications.
- B. Bidder is not debarred or suspended from participation in Federal Assistance programs.

2.2 TAXES:

No bid or proposal shall be awarded by Jefferson County unless the prospective Bidder provides proof that the Bidder does not owe delinquent real or personal property taxes to Jefferson County. The prospective Bidder is required to provide proof in the form of an original paid tax receipt issued by the Jefferson County Collector or a verified affidavit stating that the applicant does not own any real or personal property in Jefferson County. Tax receipts for the past 3 years are required and may be obtained at <http://jeffersonmo.devnetwedge.com/> or a notarized affidavit stating that the applicant does not own any real or personal property in Jefferson County on company letterhead.

Section 135.040 of the Jefferson County Code of Ordinances (Ord. No. 10-0411) requires that no bid or proposal shall be awarded by Jefferson County unless the prospective Bidder provides proof that the Bidder does not owe delinquent real or personal property, or that the Bidder does not own any real or personal property in Jefferson County. All delinquent real or personal property taxes shall be paid, in-full, prior to the award of any bid, or proof shall be provided that the Bidder does not own any real or personal property in Jefferson County prior to the award of any bid. Jefferson County considers that the failure to pay any and all real or personal property taxes due Jefferson County, Missouri, the failure to report all real or personal property owned, held or used in Jefferson County, the failure to provide proof thereof, and/or the failure to keep said tax bills current shall be deemed a material breach of the contract and will subject the contract to immediate cancellation. All taxes, due and owing, must be paid in full at the time the bid is awarded by Jefferson County and remain paid during the entire term of the contract unless the prospective Bidder provides proof that the Bidder does not own real or personal property in Jefferson County. This requirement shall not apply to the award of bids for projects which are funded in whole or in part by Federal funds.

2.3 CERTIFICATION OF INDEPENDENT PRICE DETERMINATION:

- A. The prices in the bid shall be independently determined, without consultation, communication, or agreement for the purpose of restricting competition as to any matter relating to price with any Bidder or other person.
- B. Unless otherwise required by law, the prices shall not have been knowingly disclosed by the Bidder prior to opening.
- C. No attempt has been made or will be made by the Bidder to induce any other person or firm to submit or not to submit a bid.

2.4 PRICE:

The price(s) specified in this bid shall be firm and not subject to contingency or reservation. If the Vendor fails to honor stated prices as submitted in the Bid Form or Contract, the County reserves the right to obtain the same items from the next lower vendor who submitted a bid price for the item. The original vendor shall be responsible for the difference in price and required to make restitution to the County for the difference in price. The Bidder represents prices specified in the bid do not exceed current selling price for the same or substantially similar good or service, and are the same as or lower than other prices charged to the Bidder's most favored customer. In the event the stated prices are determined to be higher than the prices for which Supplier has sold the items, or services, to others, this contract price shall be reduced accordingly. **Bid prices are ALL INCLUSIVE: (Shipping, Handling, Delivery, and Assembly to locations specified by the County). Prices shall be firm for ALL County departments and locations for term of the agreement.**

2.5 MISSOURI DOMESTIC PRODUCT PROCUREMENT ACT:

Bidder represents that the goods provided comply with Sections 34.350 to 34.359, RSMo, known as the Domestic Product Procurement Act. The Act encourages the purchase of products manufactured or produced in the United States, State of Missouri, and Jefferson County, Missouri. Bidder shall include proof of compliance with the Act with the bid when requested.

2.6 NON-EXCLUSIVE AGREEMENT:

The contractor shall understand and agree that the contract shall not be construed as an exclusive agreement and further agrees that the County may secure identical and/or similar services or products from other sources at anytime in conjunction with or in replacement of the contractor's services.

2.7 DEFINITIONS:

- A. The term "County" means the Jefferson County, Missouri and its designated representatives.
- B. The term "Vendor" means Supplier, Contractor, and Seller and includes designated representatives.
- C. The term "IFB" means Invitation for Bid.
- D. The term "Agreement/Contract" means Binding Agreement, Contract, Request for Purchase, Order.

2.8 INSPECTION, ACCEPTANCE AND APPROVALS:

Goods shall at all times and places, including the period of manufacture, are subject to inspection and test by County. County will accept or give notice of rejection of goods delivered within a reasonable time after receipt. Acceptance shall not waive any warranty. All goods supplied are subject to final inspection and acceptance by County notwithstanding payment, prior inspections or approvals. County may require prompt replacement or correction of rejected goods at Supplier's expense, including a reduction in price for rejected goods. Supplier shall not resubmit rejected goods to County without prior written approval and instructions from County. In addition, Supplier shall identify resubmitted goods as previously rejected. Supplier shall provide and maintain a quality assurance and control system acceptable to County.

2.9 WARRANTY:

Unless otherwise agreed to in writing by the parties, Supplier warrants that items ordered to specifications will conform thereto and to any drawings, samples or other descriptions furnished or adopted by County, or, if not ordered to specifications will be fit and sufficient for the purpose intended, and that all items will be new, merchantable, of good material and workmanship, and free from defect. Such warranties, together with Supplier's service warranties and guarantees, if any, shall survive inspection, test, acceptance of, and payment for the items and shall run to County and its assigns. Except for latent defects, the County shall give notice of any nonconformity to the Supplier within one (1) year after acceptance. County may return for credit or require prompt correction or replacement of the defective or non-conforming goods or have the defective good corrected or replaced at Supplier's expense. Return to Supplier of any defective or non-conforming goods and delivery to County of any corrected or replaced goods shall be at Supplier's expense. Defective or non-conforming items shall not be corrected or replaced without written authorization by County. Goods required to be corrected or replaced shall be subject to the provisions of this clause and the clause hereof entitled "Inspection, Acceptance and Approvals" in the same manner and to the same extent as goods originally delivered under this contract.

2.10 PAYMENT:

County will pay Supplier for goods upon delivery to, submission of certified invoices with attached tipping fee receipts and acceptance. The County will not be responsible for articles or services furnished without a purchase order. Price is tax-exempt.

2.11 CHANGE ORDER:

County may make changes within the general scope of this contract. If any such changes cause an increase or decrease in the cost of or the time required for the performance of any part of the work, whether changed or not changed by any such order, an equitable adjustment shall be made in the price or delivery schedule or both, and any change order shall be in writing. Any claim by a Supplier for adjustment under this clause shall be asserted within fifteen (15) days from the date of receipt of this written order directing the change, provided, however, County, if it decides that the facts justify such action, may receive and act upon such claim asserted at any time prior to final payment.

2.12 DELIVERIES:

Deliveries shall be made in strict accordance with any delivery schedule contained in the bid specification or contract and in the exact quantity ordered. Failure to adhere to delivery schedule is reason for termination in accordance with the "termination" clause. Deliveries are to be made at locations specified by the County at time of Order.

2.13 RESPONSIBILITY FOR SUPPLIES:

Pursuant to Section 290.560 RSMo, Supplier/Contractor shall employ only Missouri laborers and laborers from nonrestrictive states except that other laborers may be used when Missouri laborers or laborers from nonrestrictive states are not available, or are incapable of performing the particular type of work involved, if so certified by the contractor and approved by the County. Except as otherwise provided, Supplier shall be responsible and bear all risks for loss and damage to goods until delivery at County's facilities, regardless of F.O.B. point, point of inspection or acceptance; and if the goods are rejected.

2.14 SUBCONTRACTS:

Supplier shall not enter into any subcontract(s) in excess of \$25,000 or 20% of this contract price; whichever is less, for any goods without County's prior written approval.

2.15 CHOICE OF LAW:

This bid and contract shall be governed and interpreted according to the laws of the State of Missouri. Venue for any court action shall be in Jefferson County, Missouri.

2.16 TERMINATION:

A. General: Performance of work may be terminated by the County in whole, or from time to time in part, whenever County shall determine that such termination is in the best interests of County with a thirty (30) day written notice. The Vendor may terminate the Agreement/Contract upon a sixty (60) day prior notice in writing. In the event of any termination of the Agreement/Contract by the Vendor, the County may purchase such supplies and/or services similar to those terminated and for the duration of the Agreement/Contract period the Vendor will be liable for all costs in excess of the established contract pricing.

B. Bankruptcy or Insolvency: In the event bankruptcy proceedings are commenced by or against Supplier or under any provisions of the United States Bankruptcy Act or for the appointment of a receiver or trustee or a general assignment for the benefit of creditors of either party, County shall be entitled to terminate without further cost or liability. The County may cancel the Agreement/Contract or affirm the Contract and hold the Vendor responsible for damages.

C. Section 135.040 of the Jefferson County Code of Ordinances (Ord. No. 10-0411) requires that no bid or proposal shall be awarded by Jefferson County unless the prospective Bidder provides proof that the Bidder does not owe delinquent real or personal property, or that the Bidder does not own any real or personal property in Jefferson County. All delinquent real or personal property taxes shall be paid, in-full, prior to the award of any bid, or proof shall be provided that the Bidder does not own any real or personal property in Jefferson County prior to the award of any bid. Jefferson County considers that the failure to pay any and all real or personal property taxes due Jefferson County, Missouri, the failure to report all real or personal property owned, held or used in Jefferson County, the failure to provide proof thereof, and/or the failure to keep said tax bills current shall be deemed a material breach of the contract and will subject the contract to immediate cancellation. All taxes, due and owing, must be paid in full at the time the bid is awarded by Jefferson County and remain paid during the entire term of the contract unless the prospective Bidder provides proof that the Bidder does not own real or personal property in Jefferson County. This requirement shall not apply to the award of bids for projects which are funded in whole or in part by Federal funds.

D. Default: County may terminate the whole Contract or any part in either of the following circumstances:

D-1. If supplier fails to deliver the items required by the contract within the time specified; or

D-2. If supplier fails to perform any of the other provisions of the contract, or so fails to make progress as to endanger performance of the contract in accordance with its terms, and in either of these two circumstances does not cure such failure within a period of ten (10) days after notice from County specifying such failure. In the event of termination under subparagraph 1, County shall have the right to procure, on such terms and in such manner as it may deem appropriate, items similar to those terminated, and to recover from Supplier the excess cost for such similar items provided, however, Supplier shall not be liable for such excess costs where the failure upon which the termination is based has arisen out of causes beyond the control of Supplier and without the fault or negligence of Supplier. Such causes shall be deemed to include fires, floods, earthquakes, strikes, and acts of the public enemy. The rights of County provided in subparagraph 1 shall be in addition to any other rights provided by law or the contract.

D-3. In the event of the Supplier's non-compliance with the provisions as set forth, this Contract may be cancelled, terminated or suspended in whole or in part and the supplier may be declared ineligible for further County contracts. The rights and remedies of the County provided in this paragraph shall not be exclusive but are in addition to any remedies provided in this Contract or as provided for by law.

2.17 NOTICE AND SERVICE THEREOF:

Any notice from the County shall be in writing and considered delivered and the service thereof completed when said notice is posted, by certified or regular mail, to the Supplier, at the address stated on the bid form.

2.18 CONTRACT TERM:

Performance shall be governed solely by the terms and conditions as set forth in the Invitation for Bid, Bid Specifications, Bid Form and the Contract notwithstanding any language contained on any invoice, shipping order, bill of lading or other document furnished the Seller at any time and the acceptance by the County for any goods furnished.

2.19 COMPLIANCE WITH APPLICABLE LAWS:

Supplier warrants it has complied with all applicable laws, rules and ordinances of the United States, Missouri or any other Governmental authority or agency in the manufacture or sale of the goods, including but not limited to all provisions of the Fair Labor Standards Act of 1938, as amended, including provisions of the Home Rule Charter of Jefferson County, Missouri requiring all workers performing work under any contract with Jefferson County be paid a wage that is at least the prevailing hourly rate of wages for work of a similar character in Jefferson County.

2.20 ACTS OF GOD:

No party shall be liable for delays, nor defaults due to Acts of God or the public enemy, riots, strikes, fires, explosions, accidents, governmental actions of any kind or any other causes of a similar character beyond its control and without its fault or negligence.

2.21 SELLER'S INVOICES:

Invoices shall contain the following information. Contract number (if any), Purchase Order Number, Item number, contract description of goods or services, sizes, quantities, unit prices and extended totals. Invoices for and inquiries regarding payment should be addressed to the County Accounts Payable Clerk.

2.22 APPROVAL:

It is agreed the acceptance of a Bid shall not be valid and binding upon the County until approved by the County Purchasing Agent, County Council, and the County Counselor.

2.23 RENEWAL OPTION:

The County reserves the right to negotiate the contract for one (1) additional one-year term with the written consent of the awarded vendor. If the contractor/vendor requests an increase in compensation for any renewal period, the vendor shall notify the Office of Contracts and Grants no less than 60 days prior to the end of the contract period. The County shall notify the Vendor of the intent to exercise the renewal option. However, failure to notify the Vendor does not waive the County's right to exercise the renewal option.

Indicate: [] Individual: [] Partnership: Corporation.

2.24 INDIVIDUAL, PARTNERSHIPS, CORPORATIONS:

Incorporated in the State of Missouri.

2.25 LITIGATION:

This agreement shall be interpreted under the laws of the State of Missouri. Any disagreements, questions, controversies, litigation or other causes of action whatsoever arising from or under the terms of this agreement shall be resolved in the trial courts of 23rd Judicial Circuit Court of the State of Missouri-Hillsboro, Missouri.

2.26 LANGUAGE: Bids and all related documents will only be accepted in the English Language.

AFFIDAVIT OF WORK AUTHORIZATION

The grantee, sub grantee, contractor or subcontractor who meets the section 285.525, RSMo definition of a business entity must complete and return the following Affidavit of Work Authorization.

Comes now Karan Presson (Name of Business Entity Authorized Representative) as Vice President (Position/Title) first being duly sworn on my oath, affirm Loomis Bros. Equipment Co (Business Entity Name) is enrolled and will continue to participate in the E-Verify federal work authorization program with respect to employees hired after enrollment in the program who are proposed to work in connection with the services related to laundry equipment (Bid/Grant/Subgrant/Contract/Subcontract) for the duration of the grant, subgrant, contractor, or subcontractor, if awarded in accordance with subsection 2 of section 285.530, RSMo. I also affirm that Loomis Bros. Equipment (Business Entity Name) does not and will not knowingly employ a person who is an unauthorized alien in connection with the contracted services related to Jefferson County Jail (Bid/Grant/Subgrant/Contract/Subcontract) for the duration of the grant, subgrant, contract, or subcontract, if awarded.

In Affirmation thereof, the facts stated above are true and correct. (The undersigned understands that false statements made in this filing are subject to the penalties provided under section 575.040, RSMo.)

Karan Presson
Authorized Representative's Signature

Karan Presson
Printed Name

Vice President
Title

03/03/17
Date

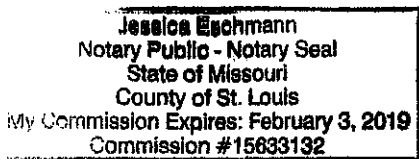
Subscribed and sworn to before me this 3rd of March, 2017. I am
(DAY) (MONTH, YEAR)

commissioned as a notary public within the County of St. Louis, State of
(NAME OF COUNTY)

Missouri and my commission expires on Feb 3, 2019.
(NAME OF STATE) (DATE)

Jessica Echmann
Signature of Notary

03/03/17
Date



AFFIDAVIT OF WORK AUTHORIZATION

(Continued)

CURRENT BUSINESS ENTITY STATUS

I certify that Loomis Bros. Equipment (Business Entity Name) **MEETS** the definition of a business entity as defined in section 285.525, RSMo pertaining to section 285.530, RSMo as stated above.

Karan Presson
Authorized Business Entity
Representative's Name
(Please Print)

Karan Presson
Authorized Business Entity
Representative's Signature

Loomis Bros. Equipment Co.
Business Entity Name

03/03/17
Date

As a business entity, the grantee, sub grantee, contractor, or subcontractor must perform/provide the following. The grantee, sub grantee, contractor, or subcontractor shall check each to verify completion/submission:

- Enroll and participate in the E-Verify federal work authorization program
(Website: <http://www.dhs.gov/e-verify>;
Phone: 888-464-4218; Email: e-verify@dhs.gov) with respect to the employees hired after enrollment in the program who are proposed to work in connection with the services required herein;

AND

- Provide documentation affirming said company's/individual's enrollment and participation in the E-Verify federal work authorization program. Documentation shall include a page from the E-Verify Memorandum of Understanding (MOU) listing the grantee's, subgrantee's, contractor's, or subcontractor's name and the MOU signature page completed and signed, at minimum, by the grantee, subgrantee, contractor, or subcontractor and the Department of Homeland Security – Verification Division; (if the signature page of the MOU lists the grantee's, subgrantee's, contractor's, or subcontractor's name, then no additional pages of the MOU must be submitted).

SPECIFICATIONS

Bid is for One (1) MILNOR Model 30022 VRJ Washer-Extractor, or approved equal, combination laundry washer-extractor, electrical specification, in accordance with the following specifications:

1. **Programs:** Microprocessor control shall provide 30 easily programmable formulas; 10 formulas shall be pre-set, automatic wash programs specially designed for correctional laundries. Thirty total formulas shall have 225 total steps. Up to 50 steps shall be assignable for each formula, including: type of step, type of bath, time (15 seconds to 63.5 minutes), water valve selection and temperature modulation (50°F - 205°F/10°C - 96°C), optional steam injection, one of two pressure switch controlled levels, chemical injections (up to five different chemicals), duration and time of chemical injection, how to drain (*i.e.*, standard drain, no drain, or cylinder reversal), type/time of extract, cooldown (optional), and operator signals. One screen format shall display previous decisions and allow programmer to change them at will. Control shall also allow programmer to move backward or forward to change a previous decision. Display shall provide operating information and error messages. Control shall also provide for testing electrical inputs and outputs to help diagnose problems, shall provide formula counter, and shall signal operator at end of cycle.
2. **Overnight bath soak:** When specified, shall provide for overnight bath soak without the need for powering-up entire machine overnight.
3. **Automatic supply injection:** Shall automatically add proper supply at required time. Six fittings shall be provided for connecting tubes from remote liquid supply systems. Control shall provide start signals for injection of liquid chemicals. (Optional: Shall be equipped with machine-mounted, three-compartment automatic flushing supply injection for dry or liquid supplies.)
4. **Stainless steel:** Shall be type 304 corrosion-resisting steel.
5. **Cylinder:** Shall be of dimensions and volume shown in table below, fabricated entirely of .050" (1.3 mm) stainless steel. Side sheet shall have perforations and three ribs, each 5.56" (141 mm) minimum height. All cylinder welding shall be continuous.
6. **Shaft:** Shall be alloy steel, major diameter not less than 2-1/2" (63.5 mm) with all bearing fits ground.
7. **Shell:** Shall be stainless steel, so constructed as to prevent washing solution from contacting carbon steel.
8. **Shell door:** Shall be minimum of 15-1/2" (394 mm) with high tensile strength glass capable of withstanding high mechanical action and thermal shock.
9. **Safety interlock:** Shall prevent machine operation unless door is closed.
10. **Main bearings:** Shall be heavy duty tapered roller bearings, oil lubricated, with triple seal between front bearing and wash water to retain lubrication and shield bearing from washing solution.
11. **Motor drive:** Shall have one single-speed motor with inverter. Shall have one distribution speed, as shown in specifications, and programmable wash and extract speeds. Additional speed provides a precise high G-force to "sling" the wash liquor (including water, chemistry, and soil) out of the goods after a wash step, thereby, eliminating up to two entire rinse steps.
12. **Drain valve:** Shall be electrically operated 3" (76 mm) gravity valve.
13. **Water inlet valves:** Shall be at least 3/4" (19.1 mm) commercial type, with at least 3/4" (19.1 mm) ports and epoxy encapsulated, waterproof and mechanically protected coils.

- 14. **Vibration safety switch:** In case of excessive vibration, shall immediately stop machine and signal operator.
- 15. **Voltage:** 208,240/3/60 is required for this bid request.
- 16. **Site Requirements:** Product must be able to fit through a 30-inch door frame or have the ability to be re-assembled onsite. Chosen bidder shall be responsible for the removal and proper disposal of existing laundry washer unit. County shall require installer to set up and install unit, as well as demonstrate proper functionality of the machine prior to acceptance by the County.
- 18. **Warranties:** Installer shall provide the County with any and all documents pertaining to Manufacturer's warranties, as well as any limited warranties by the installer on their labor and material used as part of the contract. Installer shall also provide the County with any operating instructions or manuals that are relevant to the products and materials installed.

BID SPECIFICATIONS SUMMARY TABLE

Model (or approved equal):	30022 VRJ
Maximum capacity - lbs. (kg)*	60 (27)
Cylinder diameter x depth - ins. (mm)	30x22 (762x559)
Gross cylinder vol. - cu. ft. (L)	9 (255)
Motor - HP (kW)	5 (3.72)
Wash 1 - RPM (approx.)	38
Wash 2 - RPM (approx.)	43
Distrib. speed - RPM (approx.)	65
Extract 1 - RPM (approx.)	420
Extract 2 - RPM (approx.)	485
Max. extract speed - RPM	685
Max. G forces -	200
Drain valve - ins. (mm)	3 (76)
Inlet valve - ins. (mm)	0.75 (19.1)
Overall width - ins. (mm)	34.5 (876)
Overall depth - ins. (mm)	55.58 (1412)
Overall height - ins. (mm)	57.69 (1466)
Approx. net weight - lbs. (kg)	909 (412)

* Depending on density and soil content of goods.

** With standard accessories.

BID PRICE FOR INSTALLED LAUNDRY WASHER UNIT = \$ 16,125.00

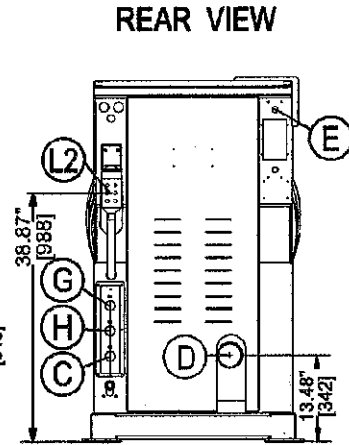
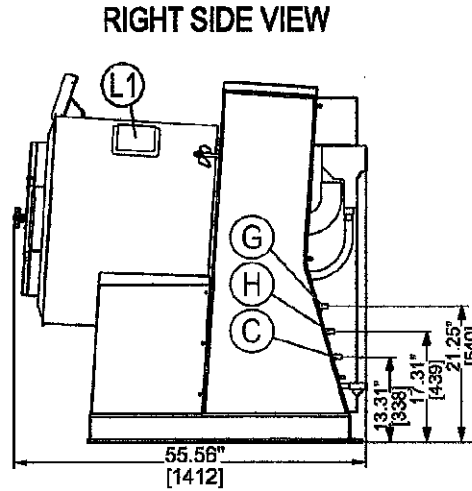
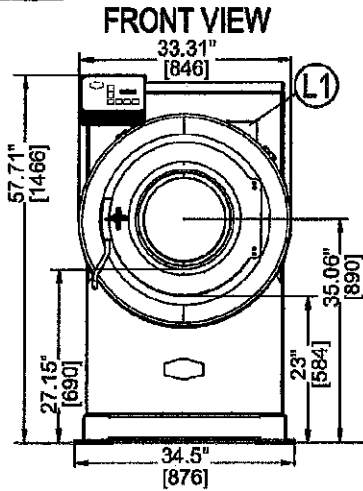
ALTERNATE PRODUCT DETAILS OR ADDITIONAL INFORMATION PROPOSED BY BIDDER:

See attached warranty information.

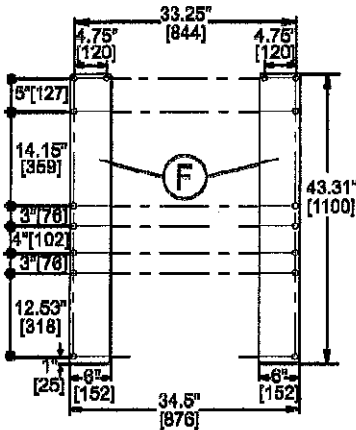
30022 VRJ

60 LB. (27KG) CAPACITY
RIGID-MOUNT WASHER-EXTRACTOR

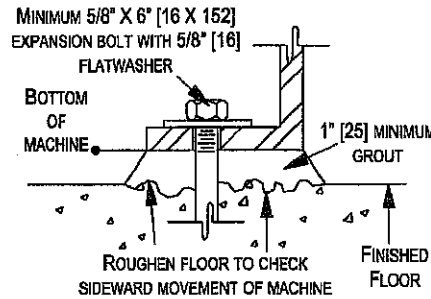
SPECIFICATION SHEET



FOUNDATION VIEW



ANCHORING DETAIL



FLOOR REQUIREMENT 12" MINIMUM
RECOMMENDED ▼, ◆

LEGEND

C	Cold water inlet, .75" (19 mm) GHT
D	Drain to rear, 3" (76 mm) pipe socket joint
E	Main electrical connection
F	Foundation pads, anchor bolt holes .8125" (21 mm) diameter
G	Hot water (chemical flushing), .75" (19 mm) GHT
H	Hot water, .75" (19 mm) GHT
L1	Standard soap chute
L2	Liquid supply inlets

MECHANICAL SPECIFICATIONS

Capacity – lbs (kg)	60 (27)
Cylinder Diameter x Depth – ins (mm)	30 x 22 (762 x 559)
Cylinder Volume – cu. ft. (L)	9 (255)
Door Opening – ins (mm)	15.5 (394)
Machine Dimensions (W x D x H) – ins (mm)	34.5 x 55.56 x 57.68 (876 x 1412 x 1466)
Shipping Dimensions (W x D x H) – ins (mm)	40 x 64 x 63 (1016x1625x1600)
Motor – HP (kW)	5 (3.72)
Wash Speeds – RPM	38-43
Distribution Speed – RPM	65
Extraction Speeds – RPM	420-685
Extraction G-Force	200
Static Weight – lbs (kg) ◆	1344 (610)
Max. Dynamic Load RMS - lbs (kg) ◆	2120 (961)
Frequency (Hz)	11.4
Water Pressure (Required) – psi (bar)	10-75 (.68-5.1)
Water Valve Cv Rating – gal/min (L/min)	5.8 (22)
Minimum Recommended Distance Between Machines – ins (mm)	6 (152)

ELECTRICAL SPECIFICATIONS

Voltage	Running Amps	Fuse (Amps)	Circuit Breaker (Amps)
220/3/50-60	7	FRN20	20
208,240/1/60	9, 8	FRN20	20
208, 240/3/60	8, 7	FRN20	20
380/3/50-60	4.5	FRS15	15
415/3/50	4.5	FRS15	15
480/3/60	3.5	FRS15	15

See Fuse and Wire Size manual MAEFUSE1BE for safety information. Contact factory for electrical specifications if equipped with Electric Heat option.
▼ See dimensional drawing for complete details.

◆ It is the sole responsibility of the owner/user to assure that the floor and/or any other supporting structure exceeds not only all applicable building codes, but also that the floor and/or any other supporting structure for each washer-extractor or group of washer-extractors has sufficient strength and rigidity (i.e., a natural or resonant frequency many times greater than the rotational machine speed with a reasonable factory of safety) to support the weight of all the fully loaded machine(s) including the weight of the water and goods, and including the published 360° rotating sinusoidal RMS forces that are transmitted by the machine(s). Contact the factory for additional machine data for use by a structural engineer.



Bidder's Initials

www.milnor.com

30022 VRJ

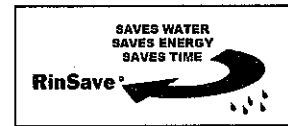
60 LB. (27KG) CAPACITY

RIGID-MOUNT WASHER-EXTRACTOR

SPECIFICATION SHEET

Standard Features:

- RinSave® water saving technology
- 7 speeds (2 wash, 1 distribution, 1 RinSave, 3 extract)
- E-P PLUS® programmable controller
- Back-lit LCD display
- Single-motor inverter drive
- Tall, lifting ribs
- Tapered roller bearings
- High M.A.F. (Mechanical Action Factor)
- Large cylinder perforations
- Fresh-water flushing chemical manifold
- Auto tension V-belt drive
- Six (6) liquid chemical injection ports
- Control reads in English/second language
- 5-year limited warranty on frame, cylinder & shell

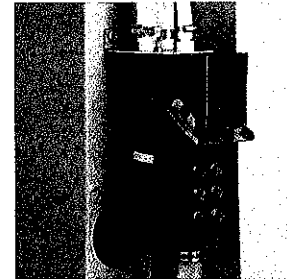


Optional Features:

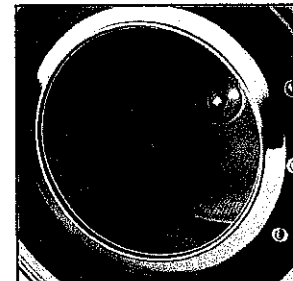
- Steam
- 3 compartment flushing supply injector
- Prison package

Why Purchase Milnor?

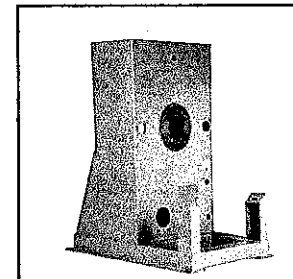
- Larger cylinder volume than most competitive similar sized washer-extractors provides *greater productivity*. More linen washed per day, or fewer hours required to process. **BENEFIT: Saves labor.**
- Greater cylinder perforated-area generates *better wash quality, better rinsing and better extraction*. **BENEFIT: Better extraction saves dryer fuel.**
- Faster process times reduce fabric wear, promoting *longer linen life!* **BENEFIT: Saves linen replacement costs.**
- High perforated ribs provide excellent lifting. **BENEFIT: Greater mechanical action leads to better wash quality.**
- 200-G high extract provides excellent moisture removal. Lower extract speeds are available for uniforms, delicate textiles and blended fabrics. **BENEFIT: Better extraction saves dryer fuel.**
- E-P Plus Controller with back-lit LCD display allows operator to choose formulas from real words, not codes. Standard controller features English/Spanish (other languages optional). Controller also provides diagnostic and error messages. Shortens training time of new employees. **BENEFIT: Fewer operator errors.**
- Superior product support through local, highly-skilled dealers. **BENEFIT: Faster repairs mean less downtime.**



Safe chemical injection



Superior cylinder design



Solid industrial frame

LOOMIS BROS. EQUIPMENT CO.
409 BILTMORE DR., FENTON, MO 63026
(800) 783-6665
www.loomisbros.com



March 3, 2017

Department of the County Clerk
Jefferson County Missouri
729 Maple Street
PO Box 100
Hillsboro, MO 63050

RE: Warranty Information for Jefferson County Jail Dryer Bid

Loomis Bros. Equipment Company 90-day Limited Labor Warranty

The manufacturers of the equipment being offered do not provide a labor warranty of any kind. Loomis Bros. Equipment Company offers a **ninety-day limited labor warranty** on the equipment being offered. The labor covered in this warranty is the labor required to replace parts covered under the manufacturers warranty. This warranty also covers any work performed by Loomis Bros. Equipment Company personnel during the installation and start up of equipment purchased from Loomis Bros. Equipment Company. Adjustments required on a routine basis such as belts and photo sensors are not covered by this warranty. Basic cleaning, lint removal, tightening of screws and bolts, preventive maintenance and programming are not covered under this warranty. Modifications, repairs or adjustments required to accommodate auxiliary equipment not supplied by Loomis Bros. Equipment Company are not covered under this warranty.

Milnor Limited Parts Warranty – 3/5 Year

(This is a summation of the manufacturer's warranty; a complete copy of the manufacturers warranty is available upon request)

Pellerin Milnor Corporation, a manufacturer of washer extractors being offered provides a limited **three-year parts** F.O.B. factory warranty. Under this limited warranty the basket, shell, bearings & bearing housing seals, door & electric door interlock, and frame are covered 100% for **five years**. These parts are warranted against manufacturing and material defect. Parts which require routine replacement due to normal wear such as belts, gaskets, contact points, fuses, brake and clutch linings and similar parts are covered by a **90-Day Limited Warranty**. Parts damaged through accident, abuse, misuse, lightning strikes, voltage spikes or fluctuations are also not covered under this warranty. Parts to be considered for warranty must be returned to Loomis Bros. Equipment Company with the required paperwork, freight prepaid within 30 days of failure. The manufacturer will, at their option, replace, and repair or issue credit for defective parts



SINCE 1949

Laundry Equipment
Sales & Service

St. Louis Corporate Office:
409 Biltmore Drive
Fenton, MO 63026
(800) 783-6665
(636) 343-8888
Fax (636) 343-1771

Kansas City Sales:
(800) 763-7094
(816) 452-4115

Indianapolis Sales:
(800) 783-6665
(317) 432-2648

Online at loomisbros.com

KP

In Witness thereof, the parties hereto have executed this Agreement, in triplicate, as of this 3rd day of March 2017:

Loomis Bros. Equipment Company County of Jefferson, State of Missouri
Company Name

Karan Presson

Signature

Karan Presson

Print

Kenneth B. Waller

Kenneth B. Waller County Executive

Company Address: _____

409 Biltmore Dr

Fenton, MO 63026

Phone: 636-343-8888

I hereby certify under section 50.660 RSMo there is either: (1) a balance of funds, otherwise unencumbered, to the credit of the appropriation to which the obligation contained herein is chargeable, and a cash balance otherwise unencumbered, in the treasury, to the credit of the funds from which payment is to be made, each sufficient to meet the obligation contained herein; or (2) bonds or taxes have been authorized by vote of the people and there is a sufficient unencumbered amount of the bonds yet to be sold or of the taxes levied and yet to be collected to meet the obligation in case there is not a sufficient unencumbered cash balance in the treasury.

[Signature]
County Auditor

APPROVED AS TO FORM

[Signature]
County Counselor

COOPERATIVE BID FORM

Bid Name: Jefferson County Jail

INSTRUCTIONS: Bidders **MUST** fill out this form as part of the bidding process and attach to your bid response to Jefferson County, Missouri.

COOPERATIVE PROCUREMENT CONTRACT

This is a cooperating supply contract in accordance with Chapter 130, Section 130.020. K.3., of the Procurement Policy and Procedures, Jefferson County Code of Ordinances.

Will you extend bid prices, cash terms, and all other terms and conditions of any contract resulting from this bid with Jefferson County, Missouri, to any Jefferson County, Missouri, Municipality, government agency, district, sub-district or other tax-supported entity?

Yes x No _____

Although agreeing to the extension of the terms of this contract to municipalities or other tax-supported entities, *is not a prerequisite for award*, Jefferson County, Missouri, may take this factor into consideration if tie bids are received, in addition to the normal Terms and Conditions of the Invitation for Bid, enclosed herewith as a part of this bid.

Bidders are encouraged to extend contract prices to Municipalities and any other tax-supported entities.

If agreeable to the above, state the **minimum** dollar value *per order* you will require from a Municipality or any other tax-supported entity (**this shall not apply to Jefferson County, Missouri Government, Departments or Divisions**):

MINIMUM DOLLAR VALUE PER ORDER: \$ 16,125.00

BY: Karan Presson Karan Presson

TITLE: Vice President

COMPANY: Loomis Bros. Equipment Co.

CONTACT INFORMATION FOR COOPERATIVE AGREEMENT

Phone (800) 783-6665 **E-mail** sales@loomisbros.com

**THIS FORM WILL BECOME PART OF THE BID DOCUMENT PACKAGE SUBMITTED TO
JEFFERSON COUNTY, MISSOURI**