

BID TABULATION - JAIL WASHER

<b>COUNTY JAIL LAUNDRY WASHER 3-7-2017</b>	<b>LOOMIS BROS EQUIPMENT CO</b>	<b>WASCOMAT OF AMERICA</b>
	409 BILTMORE DR FENTON MO 63026	461 DOUGHTY BLVD INWOOD NY 11096
<b>BID PRICE FOR INSTALLED LAUNDRY WASHER UNIT</b>	\$16,125.00	\$11,707.50
<b>ALTERNATE PRODUCT DETAILS OR ADDITIONAL INFORMATION PROPOSED BY BIDDER:</b>	SEE ATTACHED WARRANTY INFORMATION	ELECTROLUX W5250S
<b>REQUIRED DOCUMENTS</b>		
NOTARIZED WORK AFFIDAVIT COMPLETED	Y	Y
E-VERIFICATION DOCUMENTATION (Y/N):	Y	Y
COPY OF INSURANCE PROVIDED	Y	Y
TAX RECEIPTS OR NOTARIZED LETTER STATING NO REAL OR PERSONAL PROPERTY OWNED IN JEFFERSON COUNTY	Y	Y
COOPERATIVE BID FORM (Y/N)	Y	Y
COOPERATIVE CONTACT INFO:	Y	Y
COMPANY INFORMATION AND SIGNATURE	Y	Y
BID DEPOSIT REQUIRED	N/A	N/A
<b>COMMENTS:</b>		



**JEFFERSON COUNTY**  
**DEPARTMENT OF ADMINISTRATIVE SERVICES**  
 729 MAPLE ST / PO BOX 100  
 HILLSBORO MO 63050  
 WWW.JEFFCOMO.ORG

**BID #: 17-0020**

**Invitation for Bid: COUNTY JAIL LAUNDRY WASHER**

**Date Issued: 2-7-2017**

BIDS SHALL BE ACCEPTED UNTIL: TUESDAY, MARCH 7, 2017, AT 2:00 P.M. LOCAL TIME.

**Specification  
 Contact:**

**JASON JONAS**  
 Department of Public Works  
 636-797-5369  
 jjonas@jeffcomo.org

**Contract  
 Contact:**

**VICKIE PRATT**  
 Department of Administrative Services  
 636-797-5380

**Mail (3) Three  
 Complete Copies  
 With Vendor And  
 Bid Information As  
 Shown In Sample:**

**SAMPLE ENVELOPE**

<i>VENDOR NAME</i>	
<i>VENDOR ADDRESS</i>	
<i>CONTACT NUMBER</i>	<b>DEPARTMENT OF THE COUNTY CLERK</b>
	<b>JEFFERSON COUNTY MISSOURI</b>
	<b>729 MAPLE ST / PO BOX 100</b>
	<b>HILLSBORO MO 63050-0100</b>
<i>SEALED BID: (BID NAME)</i>	

**Contract Term:**  
 UPON APPROVAL OF THE  
 COUNTY COUNCIL AND  
 COUNTY EXECUTIVE

The undersigned certifies that he/she has the authority to bind this company in an agreement/contract to supply the commodity or service in accordance with all terms, conditions, and pricing specified. This Bid, if accepted, will constitute an Agreement and Contract with Jefferson County, Missouri, upon approval of the County Council and County Executive. Prices are firm during this agreement term, unless agreed upon in writing by the County. The County has the option to renew this agreement at the same terms and conditions as the original agreement for one additional one-year term with the written consent of the successful Bidder. Price increases for renewals are not authorized unless approved in writing by the County.

**Vendor  
 Information:**

Loomis Bros. Equipment Co.	Karan Presson
Company Name	Authorized Agent (Print)
409 Biltmore Drive	<i>Karan Presson</i>
Address	Signature
Fenton, MO 63026	Vice President
City/State/Zip Code	Title
(800) 783-6665	03/03/17
Telephone #	Date
sales@loomisbros.com	Tax ID #
E-mail	Fax #
	(636) 600-4950

14. **Vibration safety switch:** In case of excessive vibration, shall immediately stop machine and signal operator.
15. **Voltage:** 208,240/3/60 is required for this bid request.
16. **Site Requirements:** Product must be able to fit through a 30-inch door frame or have the ability to be re-assembled onsite. Chosen bidder shall be responsible for the removal and proper disposal of existing laundry washer unit. County shall require installer to set up and install unit, as well as demonstrate proper functionality of the machine prior to acceptance by the County.
18. **Warranties:** Installer shall provide the County with any and all documents pertaining to Manufacturer's warranties, as well as any limited warranties by the installer on their labor and material used as part of the contract. Installer shall also provide the County with any operating instructions or manuals that are relevant to the products and materials installed.

**BID SPECIFICATIONS SUMMARY TABLE**

<b>Model (or approved equal):</b>	<b>30022 VRJ</b>
Maximum capacity - lbs. (kg)*	60 (27)
Cylinder diameter x depth - ins. (mm)	30x22 (762x559)
Gross cylinder vol. - cu. ft. (L)	9 (255)
Motor - HP (kW)	5 (3.72)
Wash 1 - RPM (approx.)	38
Wash 2 - RPM (approx.)	43
Distrib. speed - RPM (approx.)	65
Extract 1 - RPM (approx.)	420
Extract 2 - RPM (approx.)	485
Max. extract speed - RPM	685
Max. G forces -	200
Drain valve - ins. (mm)	3 (76)
Inlet valve - ins. (mm)	0.75 (19.1)
Overall width - ins. (mm)	34.5 (876)
Overall depth - ins. (mm)	55.58 (1412)
Overall height - ins. (mm)	57.69 (1466)
Approx. net weight - lbs. (kg)	909 (412)

\* Depending on density and soil content of goods.

\*\* With standard accessories.

**BID PRICE FOR INSTALLED LAUNDRY WASHER UNIT = \$ 16,125.00**

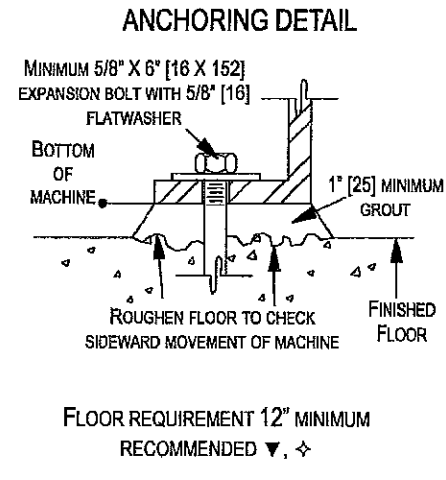
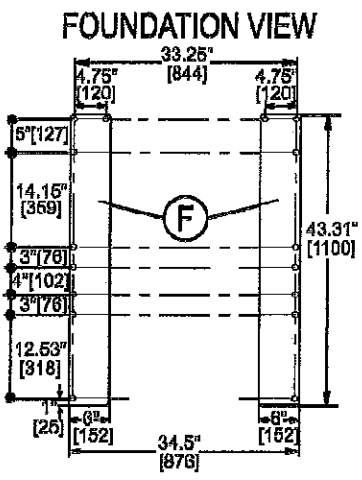
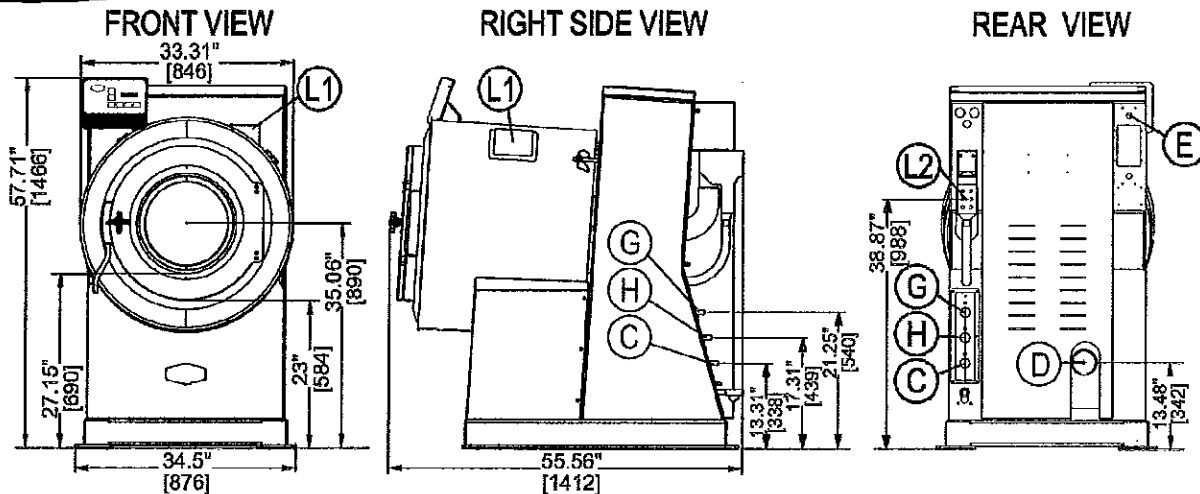
ALTERNATE PRODUCT DETAILS OR ADDITIONAL INFORMATION PROPOSED BY BIDDER:

See attached warranty information.

# 30022 VRJ

60 LB. (27KG) CAPACITY  
RIGID-MOUNT WASHER-EXTRACTOR

## SPECIFICATION SHEET



LEGEND	
C	Cold water inlet, .75" (19 mm) GHT
D	Drain to rear, 3" (76 mm) pipe socket joint
E	Main electrical connection
F	Foundation pads, anchor bolt holes .8125" (21 mm) diameter
G	Hot water (chemical flushing), .75" (19 mm) GHT
H	Hot water, .75" (19 mm) GHT
L1	Standard soap chute
L2	Liquid supply inlets

### MECHANICAL SPECIFICATIONS

### ELECTRICAL SPECIFICATIONS

Capacity – lbs (kg)	60 (27)
Cylinder Diameter x Depth – ins (mm)	30 x 22 (762 x 559)
Cylinder Volume – cu. ft. (L)	9 (255)
Door Opening – ins (mm)	15.5 (394)
Machine Dimensions (W x D x H) – ins (mm)	34.5 x 55.56 x 57.68 (876 x 1412 x 1466)
Shipping Dimensions (W x D x H) – ins (mm)	40 x 64 x 63 (1016x1625x1600)
Motor – HP (kW)	5 (3.72)
Wash Speeds – RPM	38-43
Distribution Speed – RPM	65
Extraction Speeds – RPM	420-685
Extraction G-Force	200
Static Weight – lbs (kg) ◇	1344 (610)
Max. Dynamic Load RMS - lbs (kg) ◇	2120 (961)
Frequency (Hz)	11.4
Water Pressure <sup>(Required)</sup> – psi (bar)	10-75 (.68-5.1)
Water Valve Cv Rating – gal/min (L/min)	5.8 (22)
Minimum Recommended Distance Between Machines – ins (mm)	6 (152)

Voltage	Running Amps	Fuse (Amps)	Circuit Breaker (Amps)
220/3/50-60	7	FRN20	20
208,240/1/60	9, 8	FRN20	20
208, 240/3/60	8, 7	FRN20	20
380/3/50-60	4.5	FRS15	15
415/3/50	4.5	FRS15	15
480/3/60	3.5	FRS15	15

See Fuse and Wire Size manual MAEFUSE1BE for safety information. Contact factory for electrical specifications if equipped with Electric Heat option.  
▼ See dimensional drawing for complete details.

◇ It is the sole responsibility of the owner/user to assure that the floor and/or any other supporting structure exceeds not only all applicable building codes, but also that the floor and/or any other supporting structure for each washer-extractor or group of washer-extractors has sufficient strength and rigidity (i.e., a natural or resonant frequency many times greater than the rotational machine speed with a reasonable factory of safety) to support the weight of all the fully loaded machine(s), including the weight of the water and goods, and including the published 360° rotating sinusoidal RMS forces that are transmitted by the machine(s). Contact the factory for additional machine data for use by a structural engineer.



Bidder's initials  
www.milnor.com

# 30022 VRJ

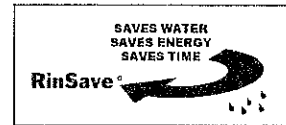
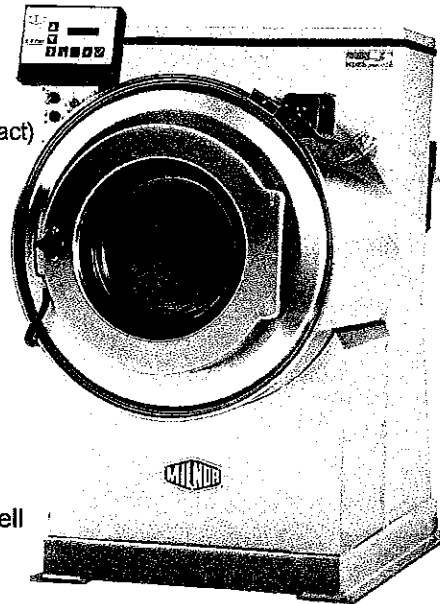
60 LB. (27KG) CAPACITY

RIGID-MOUNT WASHER-EXTRACTOR

## SPECIFICATION SHEET

### Standard Features:

- RinSave® water saving technology
- 7 speeds (2 wash, 1 distribution, 1 RinSave, 3 extract)
- E-P PLUS® programmable controller
- Back-lit LCD display
- Single-motor inverter drive
- Tall, lifting ribs
- Tapered roller bearings
- High M.A.F. (Mechanical Action Factor)
- Large cylinder perforations
- Fresh-water flushing chemical manifold
- Auto tension V-belt drive
- Six (6) liquid chemical injection ports
- Control reads in English/second language
- 5-year limited warranty on frame, cylinder & shell

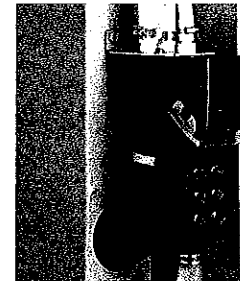


### Optional Features:

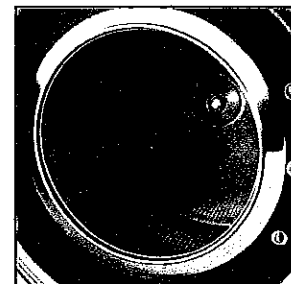
- Steam
- 3 compartment flushing supply injector
- Prison package

### Why Purchase Milnor?

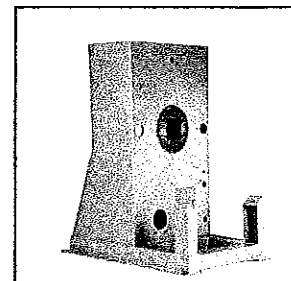
- Larger cylinder volume than most competitive similar sized washer-extractors provides *greater productivity*. More linen washed per day, or fewer hours required to process. **BENEFIT: Saves labor.**
- Greater cylinder perforated-area generates *better wash quality, better rinsing and better extraction*. **BENEFIT: Better extraction saves dryer fuel.**
- Faster process times reduce fabric wear, promoting *longer linen life!* **BENEFIT: Saves linen replacement costs.**
- High perforated ribs provide excellent lifting. **BENEFIT: Greater mechanical action leads to better wash quality.**
- 200-G high extract provides excellent moisture removal. Lower extract speeds are available for uniforms, delicate textiles and blended fabrics. **BENEFIT: Better extraction saves dryer fuel.**
- E-P Plus Controller with back-lit LCD display allows operator to choose formulas from real words, not codes. Standard controller features English/Spanish (other languages optional). Controller also provides diagnostic and error messages. Shortens training time of new employees. **BENEFIT: Fewer operator errors.**
- Superior product support through local, highly-skilled dealers. **BENEFIT: Faster repairs mean less downtime.**



Safe chemical injection



Superior cylinder design



Solid industrial frame

**LOOMIS BROS. EQUIPMENT CO.**  
409 BILTMORE DR., FENTON, MO 63026  
(800) 783-6665  
[www.loomisbros.com](http://www.loomisbros.com)



Bidder's Initials  
[www.milnor.com](http://www.milnor.com)

March 3, 2017

**Department of the County Clerk**  
**Jefferson County Missouri**  
729 Maple Street  
PO Box 100  
Hillsboro, MO 63050

**RE: Warranty Information for Jefferson County Jail Dryer Bid**

**Loomis Bros. Equipment Company 90-day Limited Labor Warranty**

The manufacturers of the equipment being offered do not provide a labor warranty of any kind. Loomis Bros. Equipment Company offers a **ninety-day limited labor warranty** on the equipment being offered. The labor covered in this warranty is the labor required to replace parts covered under the manufacturers warranty. This warranty also covers any work performed by Loomis Bros. Equipment Company personnel during the installation and start up of equipment purchased from Loomis Bros. Equipment Company. Adjustments required on a routine basis such as belts and photo sensors are not covered by this warranty. Basic cleaning, lint removal, tightening of screws and bolts, preventive maintenance and programming are not covered under this warranty. Modifications, repairs or adjustments required to accommodate auxiliary equipment not supplied by Loomis Bros. Equipment Company are not covered under this warranty.

**Milnor Limited Parts Warranty – 3/5 Year**

(This is a summation of the manufacturer's warranty; a complete copy of the manufacturers warranty is available upon request)

Pellerin Milnor Corporation, a manufacturer of washer extractors being offered provides a limited **three-year parts F.O.B. factory warranty**. Under this limited warranty the basket, shell, bearings & bearing housing seals, door & electric door interlock, and frame are covered 100% for **five years**. These parts are warranted against manufacturing and material defect. Parts which require routine replacement due to normal wear such as belts, gaskets, contact points, fuses, brake and clutch linings and similar parts are covered by a **90-Day Limited Warranty**. Parts damaged through accident, abuse, misuse, lightning strikes, voltage spikes or fluctuations are also not covered under this warranty. Parts to be considered for warranty must be returned to Loomis Bros. Equipment Company with the required paperwork, freight prepaid within 30 days of failure. The manufacturer will, at their option, replace, and repair or issue credit for defective parts



SINCE 1949

Laundry Equipment  
Sales & Service

St. Louis Corporate Office:  
409 Biltmore Drive  
Fenton, MO 63026  
(800) 783-6665  
(636) 343-8888  
Fax (636) 343-1771

Kansas City Sales:  
(800) 763-7094  
(816) 452-4115

Indianapolis Sales:  
(800) 783-6665  
(317) 432-2648

Online at [loomisbros.com](http://loomisbros.com)

KP



**JEFFERSON COUNTY**  
**DEPARTMENT OF ADMINISTRATIVE SERVICES**  
 729 MAPLE ST / PO BOX 100  
 HILLSBORO MO 63050  
 WWW.JEFFCOMO.ORG

**BID #: 17-0020**

**Invitation for Bid: COUNTY JAIL LAUNDRY WASHER**

**Date Issued: 2-7-2017**

BIDS SHALL BE ACCEPTED UNTIL: TUESDAY, MARCH 7, 2017, AT 2:00 P.M. LOCAL TIME.

**Specification  
 Contact:**

**JASON JONAS**  
 Department of Public Works  
 636-797-5369  
 jjonas@jeffcomo.org

**Contract  
 Contact:**

**VICKIE PRATT**  
 Department of Administrative Services  
 636-797-5380

**SAMPLE ENVELOPE**

**Mail (3) Three  
 Complete Copies  
 With Vendor And  
 Bid Information As  
 Shown In Sample:**

<i>VENDOR NAME</i>	
<i>VENDOR ADDRESS</i>	
<i>CONTACT NUMBER</i>	<b>DEPARTMENT OF THE COUNTY CLERK</b>
	<b>JEFFERSON COUNTY MISSOURI</b>
	<b>729 MAPLE ST / PO BOX 100</b>
	<b>HILLSBORO MO 63050-0100</b>
SEALED BID: ( <i>BID NAME</i> )	

**Contract Term:  
 UPON APPROVAL OF THE  
 COUNTY COUNCIL AND  
 COUNTY EXECUTIVE**

The undersigned certifies that he/she has the authority to bind this company in an agreement/contract to supply the commodity or service in accordance with all terms, conditions, and pricing specified. This Bid, if accepted, will constitute an Agreement and Contract with Jefferson County, Missouri, upon approval of the County Council and County Executive. Prices are firm during this agreement term, unless agreed upon in writing by the County. The County has the option to renew this agreement at the same terms and conditions as the original agreement for one additional one-year term with the written consent of the successful Bidder. Price increases for renewals are not authorized unless approved in writing by the County.

**Vendor  
 Information:**

<i>Pluslex, LLC db/a    Wascomat of America</i>	<i>Erin Coagel</i>
Company Name	Authorized Agent (Print)
<i>461 Doughty Blvd.</i>	<i>Erin Coagel</i>
Address	Signature
<i>Inwood N.Y 11096</i>	<i>Contract Manager.</i>
City/State/Zip Code	Title
<i>516-371-4400</i>	<i>3/3/17</i>
Telephone #	Date
<i>fenders@waaapro.com</i>	<i>416-2874669</i>
E-mail	Tax ID #
	<i>516-706-6097</i>
	Fax #

14. **Vibration safety switch:** In case of excessive vibration, shall immediately stop machine and signal operator.
15. **Voltage:** 208,240/3/60 is required for this bid request.
16. **Site Requirements:** Product must be able to fit through a 30-inch door frame or have the ability to be re-assembled onsite. Chosen bidder shall be responsible for the removal and proper disposal of existing laundry washer unit. County shall require installer to set up and install unit, as well as demonstrate proper functionality of the machine prior to acceptance by the County.
18. **Warranties:** Installer shall provide the County with any and all documents pertaining to Manufacturer's warranties, as well as any limited warranties by the installer on their labor and material used as part of the contract. Installer shall also provide the County with any operating instructions or manuals that are relevant to the products and materials installed.

**BID SPECIFICATIONS SUMMARY TABLE**

<b>Model (or approved equal):</b>	<b>30022 VRJ</b>
Maximum capacity - lbs. (kg)*	60 (27)
Cylinder diameter x depth - ins. (mm)	30x22 (762x559)
Gross cylinder vol. - cu. ft. (L)	9 (255)
Motor - HP (kW)	5 (3.72)
Wash 1 - RPM (approx.)	38
Wash 2 - RPM (approx.)	43
Distrib. speed - RPM (approx.)	65
Extract 1 - RPM (approx.)	420
Extract 2 - RPM (approx.)	485
Max. extract speed - RPM	685
Max. G forces -	200
Drain valve - ins. (mm)	3 (76)
Inlet valve - ins. (mm)	0.75 (19.1)
Overall width - ins. (mm)	34.5 (876)
Overall depth - ins. (mm)	55.58 (1412)
Overall height - ins. (mm)	57.69 (1466)
Approx. net weight - lbs. (kg)	909 (412)

\* Depending on density and soil content of goods.

\*\* With standard accessories.

**BID PRICE FOR INSTALLED LAUNDRY WASHER UNIT = \$** 11,707.50

ALTERNATE PRODUCT DETAILS OR ADDITIONAL INFORMATION PROPOSED BY BIDDER:

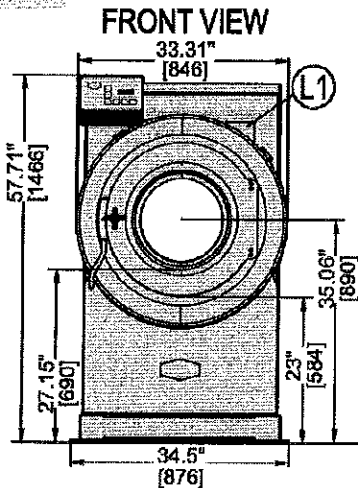
Electrolux WS2505



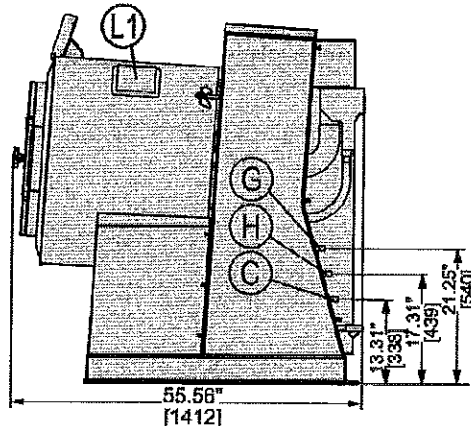
# 30022 VRJ

60 LB. (27KG) CAPACITY  
RIGID-MOUNT WASHER-EXTRACTOR

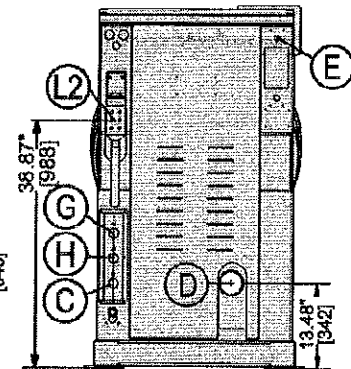
## SPECIFICATION SHEET



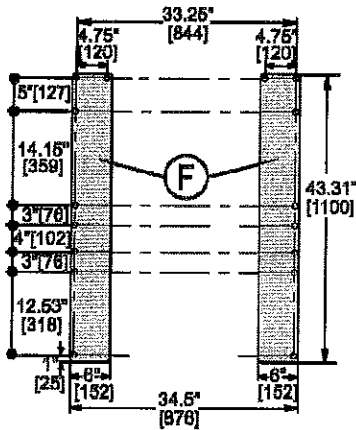
RIGHT SIDE VIEW



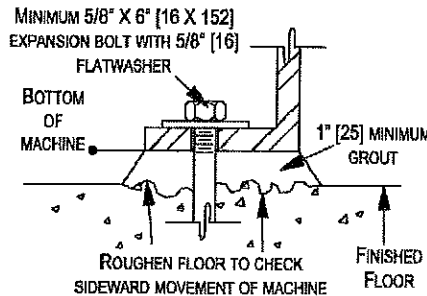
REAR VIEW



FOUNDATION VIEW



ANCHORING DETAIL



FLOOR REQUIREMENT 12" MINIMUM  
RECOMMENDED ▼, ◆

LEGEND

C	Cold water inlet, .75" (19 mm) GHT
D	Drain to rear, 3" (76 mm) pipe socket joint
E	Main electrical connection
F	Foundation pads, anchor bolt holes .8125" (21 mm) diameter
G	Hot water (chemical flushing), .75" (19 mm) GHT
H	Hot water, .75" (19 mm) GHT
L1	Standard soap chute
L2	Liquid supply inlets

### MECHANICAL SPECIFICATIONS

Capacity – lbs (kg)	60 (27)
Cylinder Diameter x Depth – ins (mm)	30 x 22 (762 x 559)
Cylinder Volume – cu. ft. (L)	9 (256)
Door Opening – ins (mm)	15.5 (394)
Machine Dimensions (W x D x H) – ins (mm)	34.5 x 55.56 x 57.68 (876 x 1412 x 1466)
Shipping Dimensions (W x D x H) – ins (mm)	40 x 64 x 63 (1016x1625x1600)
Motor – HP (kW)	5 (3.72)
Wash Speeds – RPM	38-43
Distribution Speed – RPM	65
Extraction Speeds – RPM	420-685
Extraction G-Force	200
Static Weight – lbs (kg) ◆	1344 (610)
Max. Dynamic Load RMS - lbs (kg) ◆	2120 (961)
Frequency (Hz)	11.4
Water Pressure (Required) – psi (bar)	10-75 (68-5.1)
Water Valve Cv Rating – gal/min (L/min)	5.8 (22)
Minimum Recommended Distance Between Machines – ins (mm)	6 (152)

### ELECTRICAL SPECIFICATIONS

Voltage	Running Amps	Fuse (Amps)	Circuit Breaker (Amps)
220/3/50-60	7	FRN20	20
208,240/1/60	9.8	FRN20	20
208,240/3/60	8.7	FRN20	20
380/3/50-60	4.5	FRS15	15
415/3/50	4.5	FRS15	15
480/3/60	3.5	FRS15	15

See Fuse and Wire Size manual MAEFUSE1BE for safety information. Contact factory for electrical specifications if equipped with Electric Heat option.

▼ See dimensional drawing for complete details.

◆ It is the sole responsibility of the owner/user to assure that the floor and/or any other supporting structure exceeds not only all applicable building codes, but also that the floor and/or any other supporting structure for each washer-extractor or group of washer-extractors has sufficient strength and rigidity (i.e., a natural or resonant frequency many times greater than the rotational machine speed with a reasonable factory of safety) to support the weight of all the fully loaded machine(s) including the weight of the water and goods, and including the published 360° rotating sinusoidal RMS forces that are transmitted by the machine(s). Contact the factory for additional machine data for use by a structural engineer.



Bidders Initials: *BC*  
www.milnor.com

# 30022 VRJ

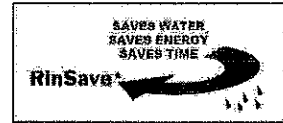
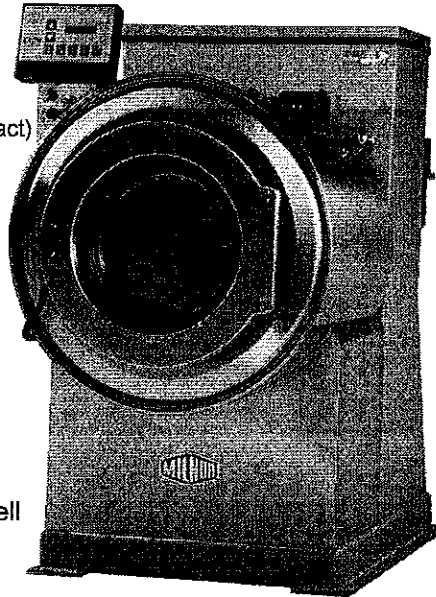
60 LB. (27KG) CAPACITY

RIGID-MOUNT WASHER-EXTRACTOR

## SPECIFICATION SHEET

### Standard Features:

- RinSave® water saving technology
- 7 speeds (2 wash, 1 distribution, 1 RinSave, 3 extract)
- E-P PLUS® programmable controller
- Back-lit LCD display
- Single-motor inverter drive
- Tall, lifting ribs
- Tapered roller bearings
- High M.A.F. (Mechanical Action Factor)
- Large cylinder perforations
- Fresh-water flushing chemical manifold
- Auto tension V-belt drive
- Six (6) liquid chemical injection ports
- Control reads in English/second language
- 5-year limited warranty on frame, cylinder & shell

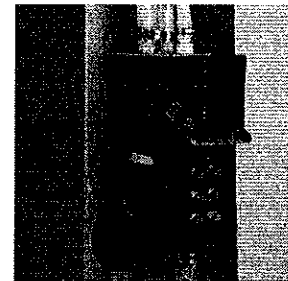


### Optional Features:

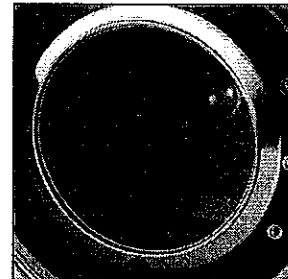
- Steam
- 3 compartment flushing supply injector
- Prison package

### Why Purchase Milnor?

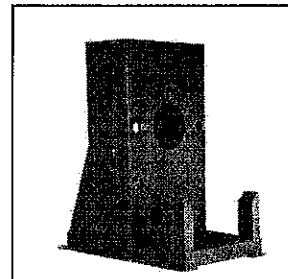
- Larger cylinder volume than most competitive similar sized washer-extractors provides *greater productivity*. More linen washed per day, or fewer hours required to process. **BENEFIT: Saves labor.**
- Greater cylinder perforated-area generates *better wash quality, better rinsing and better extraction*. **BENEFIT: Better extraction saves dryer fuel.**
- Faster process times reduce fabric wear, promoting *longer linen life!* **BENEFIT: Saves linen replacement costs.**
- High perforated ribs provide excellent lifting. **BENEFIT: Greater mechanical action leads to better wash quality.**
- 200-G high extract provides excellent moisture removal. Lower extract speeds are available for uniforms, delicate textiles and blended fabrics. **BENEFIT: Better extraction saves dryer fuel.**
- E-P Plus Controller with back-lit LCD display allows operator to choose formulas from real words, not codes. Standard controller features English/Spanish (other languages optional). Controller also provides diagnostic and error messages. Shortens training time of new employees. **BENEFIT: Fewer operator errors.**
- Superior product support through local, highly-skilled dealers. **BENEFIT: Faster repairs mean less downtime.**



Safe chemical injection



Superior cylinder design



Solid industrial frame

Contact Milnor for your local, authorized dealer:

Pellerin Milnor Corporation  
P.O. Box 400 • Kenner, LA 70063  
t: 504-467-9591 • f: 504-468-3094



Bidders Initials   
[www.milnor.com](http://www.milnor.com)



Thinking of you  
**Electrolux**

Electrolux Professional Line 5000

## Electrolux Super "S" Washers 200 G-force for OPL

### Electrolux smart washers will forever change the way you do laundry

Imagine a washer smart enough to weigh the load size and add precisely the correct amount of water. Imagine a laundry chemical controller smart enough to adjust dosing for accurate water ratio each time.

**Electrolux Professional washers do all that and more!** An estimated 60-70% of washers are underloaded, wasting water, chemicals, and energy. That's why Electrolux developed Automatic Savings (AS), a unique feature that automatically matches water consumption to load size. Combine that with SmartDosing which adjusts laundry chemicals to water ratio, and you will see immediate savings and superior wash results – every time, automatically.

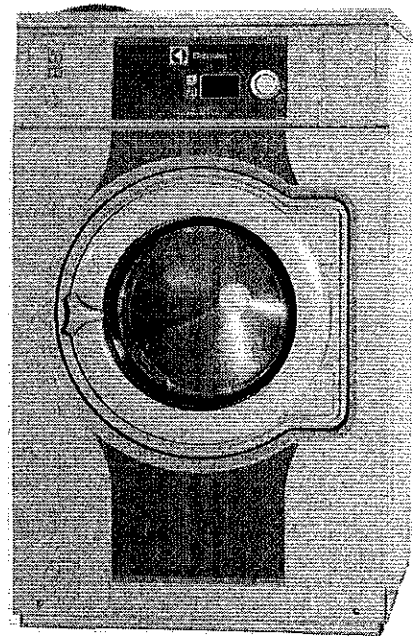
#### Features and Benefits:

Electrolux Professional 200 G-force high-speed extraction washers minimize drying time and provide significant electrical and gas savings. On-premises laundries benefit from higher productivity and lower costs. On-premises laundries can go right to flatwork finishing equipment after conditioning items in the dryer. You'll get superior results while saving valuable time and money.

- Save up to 50% on water with AS, automatically
- Smart Dosing automatically adjusts the ratio of laundry chemicals to water resulting in lower costs and a superior wash.
- Convenient 4-compartment supply dispenser
- Provisions to connect up to 5 liquid supplies
- Single phase 120 or 220 volt electrical service reduces installation costs
- Heavy-duty construction with robust steel door and lock, hinges wide apart
- Stainless and galvanized steel in all vital parts for maximum rust protection
- Super Balance guarantees the correct extraction force, longer machine life
- External liquid manifold improves reliability, workflow

#### Compass Pro microprocessor offers:

- Up to 50 programs, 15 custom
- Large display and one control knob for easy program selection
- More than 20 languages available - Displays 2 languages simultaneously
- Smart Start - real time clock for delayed start
- Detailed user statistics and programmability

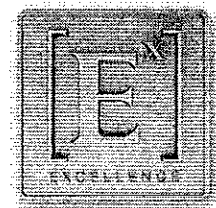


Available in 20, 25, 30, 45, 62 & 77 lb. capacities. Vertical blue wave front panel standard. Stainless available. Most sizes available in 220 or 120 volt, single phase.

Electrolux models are designed to save water and energy and achieve impressive Modified Energy Factor (MEF) results.



Designed by experts. Inspired by you.



For more information, please visit [www.laundrylux.com](http://www.laundrylux.com)

fits through 36" door

Electrolux® 5" Models, 200G Washers	W583S		W5105S		W5130S		W5180S		W5250S		W5330S	
Capacity (lb/kg)	20	9	25	11	30	14	45	20	62	28	77	35
Width (in/mm)	26	660	28 3/8	720	28 3/8	720	29 1/2	750	32 11/16	830	35 13/16	910
Depth (overall) (in/mm)	28 7/16	722	27 7/16	697	31	787	36	915	40 1/2	1029	43 7/8	1114
Height (in/mm)	44 5/8	1133	47 15/16	1217	47 3/4	1216	52 15/16	1345	56 1/8	1426	57 11/16	1465
Height to bottom of door (in/mm)	16 1/8	410	16 3/4	424	16 3/4	424	19 11/16	500	20 15/16	532	22 3/8	568
Door opening diameter (in/mm)	12 3/16	310	14 3/8	365	14 3/8	365	15 9/16	395	17 1/8	435	17 1/8	435
Cylinder volume (ft <sup>3</sup> /l)	3	85	3.7	105	4.6	130	6.4	180	8.8	250	11 5/7	330
Cylinder diameter (in/mm)	20 1/2	520	23 7/16	595	23 7/16	595	25 9/16	650	28 9/16	725	31 5/16	795
Drain outlet diameter (in/mm)	3	75	3	75	3	75	3	75	3	75	3	75
Height to centerline of drain (in/mm)	4 1/16	103	4 1/8	105	4 1/16	103	4 1/8	104	3 15/16	100	4 1/8	104
Height to electrical connection (in/mm)	32 15/16	836	36 1/4	920	36 1/4	920	41 1/4	1049	44 7/16	1129	46	1168
Height to water connections (in/mm) (approx)	40 3/8	1025	43 11/16	1109	43 11/16	1109	48 3/4	1237	51 1/2	1308	53 1/16	1347
Dynamic load (lb/kN)	382+/-585	1.7+/-2.6	427+/-674	1.9+/-3.0	517+/-854	2.3+/-3.8	674+/-1079	3.0+/-4.8	854+/-1326	3.8+/-5.9	967+/-1551	3.8+/-5.9
Dynamic frequency (Hz)	13.8		12.9		12.9		12.4		11.7		11.2	
Noise level (dBA)	69		71		72		74		76		75	
Crated weight (lb/kg)	276	125	364	165	370	168	522	237	615	279	717	325
<b>Operating Speeds</b>												
Wash (rpm)	49		49		46		44		42		40	
Extract (rpm/G-Force)	830 / 200		776 / 200		776 / 200		742 / 200		702 / 200		641 / 200	
<b>Electrical Requirements (standard)</b>												
Voltage/frequency/phase	208-240/60/1											
Power (kW) / Full-load current (A) / Ckt breaker (A)	1.0 / 4.2 / 15				1.3 / 6.3 / 15				1.1 / 5.2 / 15		1.4 / 6.7 / 15	
Voltage/frequency/phase	120/60/1											
Full-load current (Amps) / Ckt breaker (A)	0.7 / 5.8 / 15		0.9 / 7.5 / 15		1.0 / 8.3 / 15		1.3 / 6.3 / 15		1.1 / 9.2 / 15			
<b>Water Information</b>												
Inlet fittings (* = 3 Inlets)	3/4	DN20	3/4	DN20	3/4	DN20	3/4*	DN20*	3/4*	DN20*	3/4*	DN20*
Flow (gpm/lpm @ 45 psi) (each Inlet)	5	20	5	20	5	20	5	20	16	60	16	60
Recommended water pressure (psi/kPa)	30-90	200-600	30-90	200-600	30-90	200-600	30-90	200-600	30-90	200-600	30-90	200-600

Refer installation and servicing to qualified, licensed personnel. Always read installation and operating manuals and consult local codes before installation. Protect machines with properly rated, common-trip, circuit breakers ONLY. Warranty void if not properly installed. Solid-mount machines require a concrete foundation, and are not suitable for upper-floor or above-basement installations. Contact us for more information and for availability of machines for electric services not listed. Specifications subject to change without notice. Laundrylux assumes no responsibility for errors or omissions in this information.

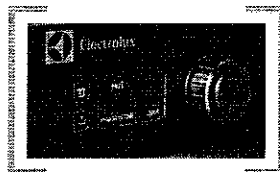


## Electrolux Professional Line 5000 The all-in-one business solution for your self-service laundry.



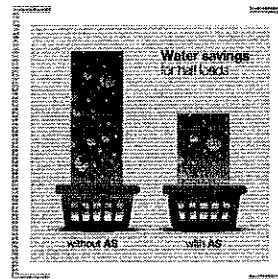
### Extended lifetime with Power Balance™

- Less maintenance costs
- Less vibration
- Maximum water extraction
- Lower energy costs



### Greatest flexibility with Compass Pro®

- Real-time clock for time of day & happy hour pricing
- Multi-language menu selection
- Text & voice guidance options
- Easy to program, easy to use



### Cost savings in water and energy with Automatic Savings (AS)

- Determines load weight and adds precisely the correct amount of water
- Up to 50% water savings - automatically
- Less water to heat
- Reduces water and energy consumption

Please contact your local authorized Electrolux Professional Distributor.

For Electrolux Professional Laundry Solutions in North America:

## Laundrylux

800.381.7222 • laundrylux.com

Laundrylux • 461 Doughty Blvd., Inwood, NY 11096-0338

516-371-4400 • F 516-371-4204 • sales@laundrylux.com

Parts: 516-371-2000 • F 516-371-4029 • parts@laundrylux.com

Tech Support: 516-371-0700 • F 516-371-4029 • service@laundrylux.com

En Mexico: Llame gratis a este numero 001-800-010-1010



ELECTROLUX  
AUTHORIZED  
PARTNER

## Limited Parts Warranty Commercial Front Load Washer

Electrolux Laundry Systems North America, a division of Electrolux Professional, Inc., 3235 South West 42 Street, Fort Lauderdale, Florida 33312 warrants that this machine will be free from defects in materials or workmanship of its parts for the periods set forth below. Except as set forth below, Electrolux Laundry Systems will repair or replace any parts proving to be defective in materials or workmanship during the periods specified below when this machine is installed, used and maintained in accordance with the manufacturer's instructions.

### WARRANTY PERIODS:

The below warranty periods will be measured from the date of shipment of the machine by an Authorized Dealer or distributor of Electrolux Laundry Systems products.

- 5 years: Inner drum, outer cylinder, base frame, back gable, liner, door lock, water reuse tank, bearing and seals for machines with extraction speed below 201 G forces.
- 90 days: Rubber gasket, diaphragms, belts, internal hoses and similar wear and tear parts.
- 3 years: With the exception of meters or other payment devices and software related thereto, all other factory installed mechanical or electrical parts not having either a 5 year warranty or a 90 day warranty as specified above.
- 1 year: Factory-installed drop coin, token, debit meters or similar payment devices.

### EXCLUSIONS: This limited warranty does not cover the following:

- Machines with original serial numbers removed, altered or not readily determinable;
- Normal wear and tear;
- Damage due to external causes such as abuse, misuse, acts of nature, fire or other peril;
- Damage due to failure to properly install, maintain or operate the machine as specified in the manufacturer's installation and operating instructions;
- Damage due to services performed by unauthorized service companies or use of parts other than genuine Electrolux Laundry Systems parts;
- Service calls or labor to repair or install parts on the machine;
- Damage due to use in the machine of nonstandard laundry chemicals or processes;
- Damage due to use of the machine in proximity to perchloroethylene or similar solvents;
- Accessory parts sold separately and not factory-installed on the machine by Electrolux Laundry Systems, including but not limited to payment or meter devices from third-party vendors and any software and/or hardware provided therewith, or damage resulting from integration of such devices, software and hardware with the machine;
- Clothing loss or damage.

**DISCLAIMER AND LIMITATION OF REMEDIES: YOUR SOLE AND EXCLUSIVE REMEDY UNDER THIS LIMITED WARRANTY SHALL BE PART REPAIR OR REPLACEMENT, EXCLUDING LABOR, AS PROVIDED HEREIN. THIS WARRANTY IS EXPRESSLY IN LIEU OF ANY AND ALL OTHER WARRANTIES WHETHER EXPRESS OR IMPLIED, ORAL OR WRITTEN, IN FACT, BY OPERATION OF LAW OR OTHERWISE, INCLUDING WITHOUT LIMITATION, A WARRANTY OF FITNESS FOR A PARTICULAR PURPOSE OR A WARRANTY OF MERCHANTABILITY. ELECTROLUX LAUNDRY SYSTEMS SHALL NOT BE LIABLE FOR CONSEQUENTIAL OR INCIDENTAL DAMAGES SUCH AS PROPERTY DAMAGE, LOSS OF ANTICIPATED PROFITS AND INCIDENTAL EXPENSES RESULTING FROM ANY BREACH OF THIS WRITTEN LIMITED WARRANTY OR ANY IMPLIED WARRANTY OR ARISING OUT OF THE EXISTENCE OR USE OF THIS MACHINE. THIS WARRANTY MAY NOT BE CHANGED OR MODIFIED IN ANY MANNER AND NO EMPLOYEE, DEALER, DISTRIBUTOR OR OTHER PERSON MAY EXTEND, EXPAND OR MODIFY THIS WARRANTY. SOME STATES AND PROVINCES DO NOT ALLOW THE EXCLUSION OR LIMITATION OF INCIDENTAL OR CONSEQUENTIAL DAMAGES OR THE LIMITATION ON THE DURATION OF IMPLIED WARRANTIES SO THESE EXCLUSIONS OR LIMITATIONS MAY NOT APPLY TO YOU. THIS WRITTEN WARRANTY GIVES YOU SPECIFIC LEGAL RIGHTS. YOU MAY HAVE OTHER LEGAL RIGHTS THAT VARY FROM STATE TO STATE OR PROVINCE TO PROVINCE.**

### PROCEDURES:

Contact your nearest Authorized Dealer or distributor of Electrolux Laundry Systems products for parts pricing, delivery, technical service and repair. Please have available at the time of your call the following required information: machine model number, machine serial number, and, if available, the part number of the part at issue. Unless specifically authorized, repair or replacement of major machine components must be performed by an authorized Electrolux Laundry Systems dealer. Provided we receive written notification of any claimed defect within 30 days of discovery and within the applicable warranty period above, we will, at our option, repair or replace the defective part when such part is returned to the address below within 30 days of the above written notice and such part proves to be defective under this warranty. We will repair or replace the part in our sole discretion and send it to your designated address in the 48 continental United States or the District of Columbia, via standard, freight prepaid delivery. If requested, expedited or overnight freight is available at your expense. Replacement and repaired parts shall have a warranty period of the longer of 90 days from date of shipment or the applicable warranty period specified above under the machine's original limited warranty.

We will not pay for parts or freight unless covered under this limited warranty and specifically authorized by our Technical Support Department. If, in our sole reasonable discretion, we determine parts have been provided which were not covered under this limited warranty, we reserve the right to charge for all expenses incurred in providing parts hereunder, including but not limited to the price for parts and transportation expense. Further, Electrolux Laundry Systems reserves the right to make any changes in parts, design or the construction of its machines without notice and without obligation to modify any previously manufactured machine.

This limited warranty applies only in the United States, District of Columbia and Canada to machines sold by an authorized Electrolux Laundry Systems dealer or distributor. For any additional questions contact Electrolux Laundry Systems, c/o Bernil Industries Corporation at 461 Doughty Blvd, Inwood, NY 11096-0338, [www.wascomat.com](http://www.wascomat.com), Telephone: 516-371-4400, Technical Support: 516-371-0700, Parts and Service: 516-371-4204, Sales: 516-371-4204.