

BID TABULATION - ANTI-SCALE SYSTEM

BID TABULATION IFB - ANTI-SCALE SYSTEM BID OPENING DATE 11-17-15	CRESCENT PLUMBING SUPPLY	ATLAS SUPPLY CO.
	640 ROSEDALE AVE ST LOUIS MO 63112	3820 MARTIN LUTHER KING DR. ST. LOUIS MO 63113
PROPOSED MAKE:	WATTS	WATTS
PROPOSED MODEL:	OF1665-75	ONE FLOW 1665-75
PROPOSED COST FOR 150 GPM UNIT (INCLUDING INSTALLATION):	\$10,600.30	\$10,844.00
MAKE & MODEL SPECIFICATION SHEETS PROVIDED (Y/N):	Y	Y
ADDITIONAL SHIPPING & HANDLING CHARGES:	N	N
COMMENTS:	INCLUDES 2 UNITS MANIFOLDED TOGETHER, 4 FLEX CONNECTORS AND 4 BRONZE WYE STRAINERS. MACK MCCLAIN START UP IS OPTIONAL, PRICE WOULD BE \$1,000.00.	INCLUDES 2 WATTS ONE FLOW ANTI- SCALE SYSTEM #002126, 4 EA. WATTS 515285 2"x12" LONG FLEX CONNECTORS MIP & 4 EA. WATTS 2" LEAD FREE STRAINERS W/ FIP CONNECTIONS REQUIRED FOR INLET & OUTLET. INCLUDES \$600.00 START UP FEE IF REQUIRED.
REQUIRED DOCUMENTS		
NOTARIZED WORK AFFIDAVIT COMPLETED	Y	Y
E-VERIFICATION DOCUMENTATION (Y/N):	Y	N
COPY OF INSURANCE PROVIDED	Y	Y
TAX RECEIPTS OR NOTARIZED LETTER STATING NO REAL OR PERSONAL PROPERTY OWNED IN JEFFERSON COUNTY	Y	Y
COOPERATIVE BID FORM (Y/N)	N	Y
COOPERATIVE CONTACT INFO:	N	Y
COMPANY INFORMATION AND SIGNATURE	Y	N
BID DEPOSIT REQUIRED	N/A	N/A
COMMENTS:	SEE ATTACHED	MISSING PG 10 SEE ATTACHED



JEFFERSON COUNTY
DEPARTMENT OF ADMINISTRATIVE SERVICES
729 MAPLE ST / PO BOX 100
HILLSBORO MO 63050
WWW.JEFFCOMO.ORG

Invitation for Bid: **ANTI-SCALE SYSTEM**

Date Issued: **10-16-15**

BIDS SHALL BE ACCEPTED UNTIL: TUESDAY, **NOVEMBER 17, 2015**, AT 2:00 P.M. LOCAL TIME.

Specification
Contact:

KRISTY MOSS
Department of Public Works
636-797-5569
kmoss@jeffcomo.org

Contract
Contact:

VICKIE PRATT
Department of Administrative Services
636-797-5380

Mail (3) Three
Complete Copies
With Vendor And
Bid Information As
Shown In Sample:

SAMPLE ENVELOPE

VENDOR NAME	
VENDOR ADDRESS	
CONTACT NUMBER	DEPARTMENT OF THE COUNTY CLERK
	JEFFERSON COUNTY MISSOURI
	729 MAPLE ST / PO BOX 100
	HILLSBORO MO 63050-0100
SEALED BID: (BID NAME)	

Contract Term:
UPON APPROVAL OF THE
COUNTY COUNCIL AND
COUNTY EXECUTIVE

The undersigned certifies that he/she has the authority to bind this company in an agreement/contract to supply the commodity or service in accordance with all terms, conditions, and pricing specified. This Bid, if accepted, will constitute an Agreement and Contract with Jefferson County, Missouri, upon approval of the County Council and County Executive. Prices are firm during this agreement term, unless agreed upon in writing by the County. The County has the option to renew this agreement at the same terms and conditions as the original agreement for one additional one-year term with the written consent of the successful Bidder. Price increases for renewals are not authorized unless approved in writing by the County.

Vendor
Information:

Crescent Plumbing Supply	Joseph Rotskoff
Company Name	Authorized Agent (Print)
640 ROSEDALE AVE	Joseph Rotskoff
Address	Signature
St. Louis, MO 63112	VP
City/State/Zip Code	Title
314-727-4200	10/29/15 43-0624840
Telephone #	Date Tax ID #
jdrc@crecentsupply.com	314-727-2800
E-mail	Fax #

SPECIFICATIONS

Anti-Scale System

This bid request is for: purchase of one or more anti scale system units to meet the demands of the jail water system (To be determined by bidder at the time of pre-bid meeting), installation of the unit (s) in the County jail, and complete plumbing and electrical connections as needed to meet the County, City, and State code requirements. This bid request is to include all project costs not limited to: the construction cost, equipment cost, wiring cost, plumbing cost, installation cost, and permit and/or inspection costs. Plumbing and/or electrical work MUST be done by a County certified plumber and/or electrician.

A pre-bid meeting is available prior to the bid closing by appointment. Contact Facilities at (636) 208- 2474 to schedule pre-bid meeting date and time.

Required features:

- Anti- scale system must be comparable to the One Flow Anti Scale System OF1665-75 or better
- WQA certified against NSF/ ANSI Standard 61 and 372 for Lead free
- 75 gpm flow rate per unit minimum
- Demand at the Jail is 150gpm (2-75 units would be acceptable)
- Inlet connection: 2" (50mm) PVC union with 90 degree socket
- Outlet connection: 2" (50mm) PVC socket
- Units must have a one year full warranty (labor and materials) and bidder is to supply information for extended warranty options.
- Dimensions:
 - o Width: 16- 20 inches
 - o Height: 65- 80 inches

Proposed Make: WATTS

Proposed Model: OF1665-75

Provide any specification sheets for the proposed make and model and warranty. Include or note any additional shipping and handling charges.

Proposed cost for 150 gpm capacity anti scale unit(s) including all installation costs: \$ 10,600.30

Comments: Price includes two units manifolded together, four
flex connectors and four bronze wire strainers.

*** Mack McClain Start up is optional, price would be \$1000 ***

Note: Lien waivers for material and work must be submitted prior to any invoicing payment.

For Commercial and Industrial Applications

Job Name _____

Contractor _____

Job Location _____

Approval _____

Engineer _____

Contractor's P.O. No. _____

Approval _____

Representative _____

LEAD FREE*

Models OF1465-50 and OF1665-75 OneFlow® Anti-Scale System

Connection Sizes: 2" (50mm)

Flow Rates: From 30 gpm to 450 gpm (114 lpm to 1703 lpm)

The OneFlow® Anti-Scale System provides protection from scale formation on internal and external plumbing surfaces. The OneFlow® system may be installed at the point-of-entry to a building to treat both hot* and cold water, or it can be located directly before a water heater, boiler, or other hot water-using device that requires protection from the ill effects of hard water.

OneFlow® prevents scale by transforming dissolved hardness minerals into harmless, inactive microscopic crystal particles, as water travels through the media filled tank. These precipitated micro-crystals stay suspended in the water and are passed to drain, thereby having a greatly reduced ability to react negatively like dissolved hardness does. The system requires very little maintenance, no backwashing, no salt, and no electricity. Typical hardness problems, especially build-up of scale in pipes, water heaters, boilers and on fixtures are no longer a concern.

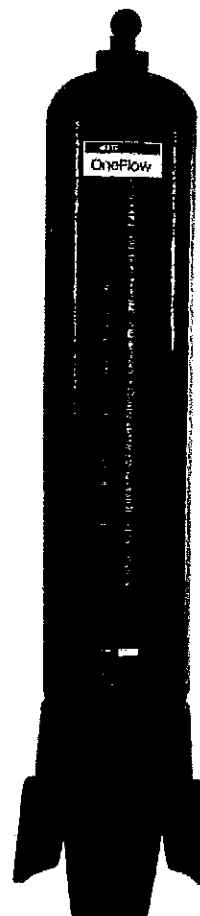
OneFlow® is not a water softener or a chemical additive (like anti-scalants or sequestrants). It is a scale prevention device with proven third party laboratory test data and years of successful residential and commercial applications. OneFlow® is the one water treatment device that effectively provides scale protection and is a great alternative to water softening (ion exchange) or scale sequestering chemicals.

Features

- Chemical-free scale prevention and protection – converts hardness minerals to harmless, inactive microscopic crystals making OneFlow® an effective alternative technology to a water softener for the prevention of scale due to water hardness
- Virtually maintenance free – No salt bags or other chemicals to constantly add
- No control valve, no electricity and no wastewater
- Uses environmentally friendly "green" technology
- Improves efficiency of all water using appliances – both hot** and cold
- Simple sizing & installation – all you need to know is pipe size and the peak flow rate
- Perfect system for towns or communities where water softeners are banned or restricted

** For hot water applications where water temperature is 110°F – 150°F (43° – 66°C), please consult ES-OneFlow-HotWater

Watts product specifications in U.S. customary units and metric are approximate and are provided for reference only. For precise measurements, please contact Watts Technical Service. Watts reserves the right to change or modify product design, construction, specifications, or materials without prior notice and without incurring any obligation to make such changes and modifications on Watts products previously or subsequently sold.



OF1665-75

- Manifold assemblies for easy installation of multi-tank, high-flow applications (Can be operated in parallel for high flow applications.)
- OneFlow® does not remove minerals or add sodium to the water supply
- OneFlow® can be installed as pre-treatment to reverse osmosis (OneFlow® should be the last stage in treatment unless a point-of-use system is being used down stream.)

*The wetted surface of this product contacted by consumable water contains less than 0.25% of lead by weight.

WATTS®

Models

Model	Maximum Flow Rate
OF1465-50	50 gpm (189.3 lpm)
OF1665-75	75 gpm (283.9 lpm)

Connections

Inlet Connection	2" (50mm) PVC Union with 90° Socket
Outlet Connection	2" (50mm) PVC Socket

Replacement Media

OF1465RM	Media should be replaced every 3 years
OF1665RM	Media should be replaced every 3 years

Specifications

A OneFlow® scale prevention system shall be installed on the main water service pipe just after it enters the building, but after other whole building water safety devices (backflow preventers or pressure reducing valves), to effectively address water hardness concerns. A system may also be installed further downstream to protect specific equipment or areas within a plumbing system. The system shall be plumbed with a bypass valve to allow isolation of tank(s) and to allow the bypass of untreated water in the event that service or media replacement be necessary. The installation area should be suitable in size for the tank(s) to be serviced without encumbrance and sit upright on a flat level surface.

The system must operate in an upflow manner and not require additional water to backwash, flush, or regenerate once put into service. The system must not require any chemical additives and must not require electricity for operation.

Multi-tank systems shall be installed in parallel with PVC/CPVC manifold to meet peak flow rate requirements.

NOTICE

Copper lines need to be passivized for a minimum of 4 weeks before placing unit into service. Not for use on closed loop systems.

Feed Water Chemistry Requirements

pH	6.5 to 8.5
Hardness (maximum)	75 grains (1300 ppm CaCO ₃)
Water Pressure	15psi to 100psi (103 kPa to 6.9 bar)
Temperature	40°F to 110°F (5°C to 43°C)
Chlorine	< 3ppm
Iron (maximum)	0.3 mg/l
Manganese (maximum)	0.05 mg/l
Copper	None allowed
Oil & H ₂ S	None allowed
Polyphosphate	None allowed
Silica (maximum)	10 ppm

NOTICE

Water known to have heavy loads of dirt and debris may require pre-filtration prior to OneFlow.

Dimensions

Model	Dimensions									
	A		B		C		D		E	
	in.	mm	in.	mm	in.	mm	in.	mm	in.	mm
OF1465-50	17	432	14	356	79	2006	65	1651	10¼	260
OF1665-75	17	432	16	406	79	2006	65	1651	10½	267

The overall height and the height of the inlet fitting varies due to material variations and assembly tolerances. Please allow additional clearance above the tank for making connections.



A Watts Water Technologies Company

ES-OF1465_1665 1320

Standards

Independent scientific testing has confirmed Template Assisted Crystallization (TAC) technology provides scale reduction of over 95+%. Testing was conducted under protocol based on DVGW W512 test to access control of scale formation.

Peak Flow Rates - Weights

	OF1465		OF1665	
Dry Weight	54 lbs.	31.8 kgs.	88 lbs.	30.8 kgs.
Service Weight	350 lbs.	158.8 kgs.	420 lbs.	190.6 kgs.

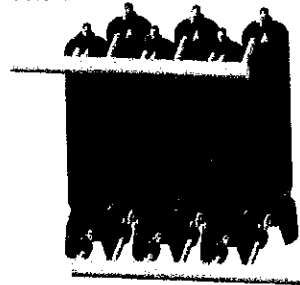
Maximum Flow Rate***		
Models	gpm	lpm
OF1465-50	50	189.3
OF1665-75	75	283.9

*** Exceeding maximum flow can reduce effectiveness and void warranty.

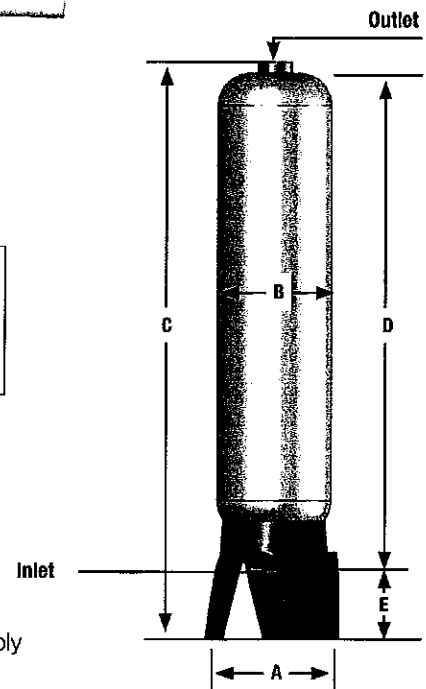
< 5 psi pressure drop @ Maximum Flow Rate

NOTICE

The information above shows flow rate data for our large single tanks (50gpm & 75gpm), high-flow applications with OneFlow utilize multiple tanks, plumbed in parallel, to meet flow rates from 100 gpm up to and above 1000gpm or more. An example of a multi-tank OneFlow system is shown below:



WQA Certified against NSF/ANSI Standard 61 and 372 for Lead Free.



USA: Tel: (800) 224-1299 • www.watts.com
Canada: Tel: (888) 208-8927 • www.watts.ca

© 2013 Watts



JEFFERSON COUNTY
DEPARTMENT OF ADMINISTRATIVE SERVICES
 729 MAPLE ST / PO BOX 100
 HILLSBORO MO 63050
 WWW.JEFFCOMO.ORG

Invitation for Bid: ANTI-SCALE SYSTEM

Date Issued: 10-16-15

BIDS SHALL BE ACCEPTED UNTIL: TUESDAY, NOVEMBER 17, 2015, AT 2:00 P.M. LOCAL TIME.

**Specification
 Contact:**

KRISTY MOSS
 Department of Public Works
 636-797-5569
 kmoss@jeffcomo.org

**Contract
 Contact:**

VICKIE PRATT
 Department of Administrative Services
 636-797-5380

**Mail (3) Three
 Complete Copies
 With Vendor And
 Bid Information As
 Shown In Sample:**

SAMPLE ENVELOPE

<i>VENDOR NAME</i>	
<i>VENDOR ADDRESS</i>	
<i>CONTACT NUMBER</i>	DEPARTMENT OF THE COUNTY CLERK
	JEFFERSON COUNTY MISSOURI
	729 MAPLE ST / PO BOX 100
	HILLSBORO MO 63050-0100
SEALED BID: (<i>BID NAME</i>)	

**Contract Term:
 UPON APPROVAL OF THE
 COUNTY COUNCIL AND
 COUNTY EXECUTIVE**

The undersigned certifies that he/she has the authority to bind this company in an agreement/contract to supply the commodity or service in accordance with all terms, conditions, and pricing specified. This Bid, if accepted, will constitute an Agreement and Contract with Jefferson County, Missouri, upon approval of the County Council and County Executive. Prices are firm during this agreement term, unless agreed upon in writing by the County. The County has the option to renew this agreement at the same terms and conditions as the original agreement for one additional one-year term with the written consent of the successful Bidder. Price increases for renewals are not authorized unless approved in writing by the County.

**Vendor
 Information:**

<i>Atlas Supply Co.</i>	<i>NICK HUMMEL</i>
Company Name	Authorized Agent (Print)
<i>3820 MARTIN L. KING DR</i>	<i>Nick Hummel</i>
Address	Signature
<i>St. Louis, Mo. 63113</i>	<i>OUTSIDE Sales</i>
City/State/Zip Code	Title
<i>314-533-1500</i>	<i>11/17/2015</i>
Telephone #	Date
<i>nhummel@atlassupplyco.com</i>	<i>431018074</i>
E-mail	Tax ID #
	<i>314-533-1588</i>
	Fax #

SPECIFICATIONS

Anti-Scale System

This bid request is for: purchase of one or more anti scale system units to meet the demands of the jail water system (To be determined by bidder at the time of pre-bid meeting), installation of the unit (s) in the County jail, and complete plumbing and electrical connections as needed to meet the County, City, and State code requirements. This bid request is to include all project costs not limited to: the construction cost, equipment cost, wiring cost, plumbing cost, installation cost, and permit and/or inspection costs. Plumbing and /or electrical work MUST be done by a County certified plumber and/or electrician.

A pre-bid meeting is available prior to the bid closing by appointment. Contact Facilities at (636) 208- 2474 to schedule pre-bid meeting date and time.

Required features:

- Anti- scale system must be comparable to the One Flow Anti Scale System OF1665-75 or better
- WQA certified against NSF/ ANSI Standard 61 and 372 for Lead free
- 75 gpm flow rate per unit minimum
- Demand at the Jail is 150gpm (2-75 units would be acceptable)
- Inlet connection: 2" (50mm) PVC union with 90 degree socket
- Outlet connection: 2" (50mm) PVC socket
- Units must have a one year full warranty (labor and materials) and bidder is to supply information for extended warranty options.
- Dimensions:
 - Width: 16- 20 inches
 - Height: 65- 80 inches

Proposed Make: WATTS

Proposed Model: OneFlow 1665-75

Provide any specification sheets for the proposed make and model and warranty. Include or note any additional shipping and handling charges.

Proposed cost for 150 gpm capacity anti scale unit(s) including all installation costs: \$ 10,844⁰⁰

Comments: Price Includes 2 WATTS OneFlow Anti Scale System #002126, 4ea WATTS 515285 2" x 12" long flex connectors NIP & 4ea WATTS 2" Lead Free Strainers w/ FIP Connections need for inlet & outlet. Includes \$600⁰⁰ Start up fee if required.

Note: Lien wavers for material and work must be submitted prior to any invoicing payment.

ATLAS SUPPLY CO,INC
3820 M.L. KING DRIVE
ST LOUIS, MO 63113
314-533-1500 Fax 314-533-1588

Quotation

QUOTE DATE	QUOTE NUMBER
11/17/15	S1421737
ORDER TO: ATLAS SUPPLY CO,INC 3820 M.L. KING DRIVE ST LOUIS, MO 63113 314-533-1500 Fax 314-533-1588	PAGE NO. 1

QUOTE TO:
 JEFFERSON COUNTY
 PO BOX 100
 HILLSBORO, MO 63050

SHIP TO:
 JEFFERSON COUNTY
 300 MAIN ST
 HILLSBORO, MO 63050

CUSTOMER NUMBER	CUSTOMER ORDER NUMBER	RELEASE NUMBER	SALESPERSON	
8782	ANTI- SCALE SYSTEM		NICK HUMMEL	
WRITER	SHIP VIA	TERMS	SHIP DATE	FREIGHT
NICK HUMMEL	BW BEST WAY	NET 30 DAYS	11/17/15	No
ORDER QTY	DESCRIPTION	UNIT PRICE	NET AMOUNT	
2EA	WATOF166575 WATTS OF1665-75 ONEFLOW ANTI-SCALE SYSTEM # 0002126	4430.000	8860.00	
4EA	^WATC515285 2" X 12" LONG FLEX CONNECTOR, MIP END CONNECTIONS, REQUIRED ON INLET & OUTLET OF EACH UNIT	148.000	592.00	
4EA	^WAT0123123 2" LEAD FREE STRAINER W/FIP END CONNECTIONS, 100 MESH SS SCREEN, REQUIRED ON INLET & OUTLET OF EACH UNIT	198.000	792.00	
1EA	^WATTS REG START UP FEE TO ASSIST WITH SYSTEM START UP IF REQUIRED	600.000	600.00	
TAXES NOT INCLUDED				

THIS IS A QUOTATION
 Prices are firm for 30 days, subject to
 change without notice after 30 days.
 A P P L I C A B L E T A X E S E X T R A !

Subtotal	10844.00
S&H CHGS	0.00
Amount Due	10844.00

For Commercial and Industrial Applications

Job Name Anti-Scale System Contractor _____
 Job Location Jefferson County, Mo Approval _____
 Engineer _____ Contractor's P.O. No. _____
 Approval _____ Representative Atlas Supply Co.

LEAD FREE*

Models OF1465-50 and OF1665-75

OneFlow® Anti-Scale System

Connection Sizes: 2" (50mm)

Flow Rates: From 30 gpm to 450 gpm (114 lpm to 1703 lpm)

The OneFlow® Anti-Scale System provides protection from scale formation on internal and external plumbing surfaces. The OneFlow® system may be installed at the point-of-entry to a building to treat both hot* and cold water, or it can be located directly before a water heater, boiler, or other hot water-using device that requires protection from the ill effects of hard water.

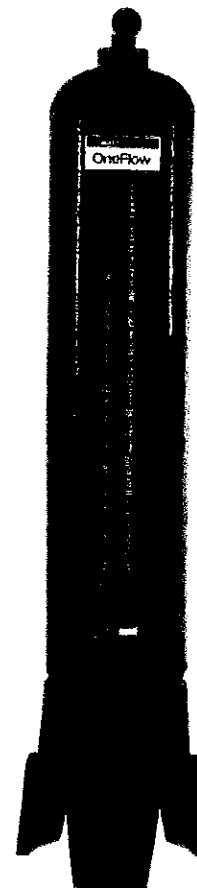
OneFlow® prevents scale by transforming dissolved hardness minerals into harmless, inactive microscopic crystal particles, as water travels through the media filled tank. These precipitated micro-crystals stay suspended in the water and are passed to drain, thereby having a greatly reduced ability to react negatively like dissolved hardness does. The system requires very little maintenance, no backwashing, no salt, and no electricity. Typical hardness problems, especially build-up of scale in pipes, water heaters, boilers and on fixtures are no longer a concern.

OneFlow® is not a water softener or a chemical additive (like anti-scalants or sequestrants). It is a scale prevention device with proven third party laboratory test data and years of successful residential and commercial applications. OneFlow® is the one water treatment device that effectively provides scale protection and is a great alternative to water softening (ion exchange) or scale sequestering chemicals.

Features

- Chemical-free scale prevention and protection – converts hardness minerals to harmless, inactive microscopic crystals making OneFlow® an effective alternative technology to a water softener for the prevention of scale due to water hardness
- Virtually maintenance free – No salt bags or other chemicals to constantly add
- No control valve, no electricity and no wastewater
- Uses environmentally friendly "green" technology
- Improves efficiency of all water using appliances – both hot** and cold
- Simple sizing & installation – all you need to know is pipe size and the peak flow rate
- Perfect system for towns or communities where water softeners are banned or restricted

** For hot water applications where water temperature is 110°F – 150°F (43° – 66°C), please consult ES-OneFlow-HotWater



OF1665-75

- Manifold assemblies for easy installation of multi-tank, high-flow applications (Can be operated in parallel for high flow applications.)
- OneFlow® does not remove minerals or add sodium to the water supply
- OneFlow® can be installed as pre-treatment to reverse osmosis (OneFlow® should be the last stage in treatment unless a point-of-use system is being used down stream.)

*The wetted surface of this product contacted by consumable water contains less than 0.25% of lead by weight.

Watts product specifications in U.S. customary units and metric are approximate and are provided for reference only. For precise measurements, please contact Watts Technical Service. Watts reserves the right to change or modify product design, construction, specifications, or materials without prior notice and without incurring any obligation to make such changes and modifications on Watts products previously or subsequently sold.

Models

Model	Maximum Flow Rate
OF1465-50	50 gpm (189.3 lpm)
OF1665-75	75 gpm (283.9 lpm)

Connections

Inlet Connection	2" (50mm) PVC Union with 90° Socket
Outlet Connection	2" (50mm) PVC Socket

Replacement Media

OF1465RM	Media should be replaced every 3 years
OF1665RM	Media should be replaced every 3 years

Specifications

A OneFlow® scale prevention system shall be installed on the main water service pipe just after it enters the building, but after other whole building water safety devices (backflow preventers or pressure reducing valves), to effectively address water hardness concerns. A system may also be installed further downstream to protect specific equipment or areas within a plumbing system. The system shall be plumbed with a bypass valve to allow isolation of tank(s) and to allow the bypass of untreated water in the event that service or media replacement be necessary. The installation area should be suitable in size for the tank(s) to be serviced without encumbrance and sit upright on a flat level surface.

The system must operate in an upflow manner and not require additional water to backwash, flush, or regenerate once put into service. The system must not require any chemical additives and must not require electricity for operation.

Multi-tank systems shall be installed in parallel with PVC/CPVC manifold to meet peak flow rate requirements.

NOTICE

Copper lines need to be passivized for a minimum of 4 weeks before placing unit into service. Not for use on closed loop systems.

Feed Water Chemistry Requirements

pH	6.5 to 8.5
Hardness (maximum)	75 grains (1300 ppm CaCO ₃)
Water Pressure	15psi to 100psi (103 kPa to 6.9 bar)
Temperature	40°F to 110°F (5°C to 43°C)
Chlorine	< 3ppm
Iron (maximum)	0.3 mg/l
Manganese (maximum)	0.05 mg/l
Copper	None allowed
Oil & H ₂ S	None allowed
Polyphosphate	None allowed
Silica (maximum)	10 ppm

NOTICE

Water known to have heavy loads of dirt and debris may require pre-filtration prior to OneFlow.

Dimensions

Model	Dimensions									
	A		B		C		D		E	
	in.	mm	in.	mm	in.	mm	in.	mm	in.	mm
OF1465-50	17	432	14	356	79	2006	65	1651	10¼	260
OF1665-75	17	432	16	406	79	2006	65	1651	10½	267

The overall height and the height of the inlet fitting varies due to material variations and assembly tolerances. Please allow additional clearance above the tank for making connections.

WATTS®

A Watts Water Technologies Company

ES-OF1465_1665 1320

Standards

Independent scientific testing has confirmed Template Assisted Crystallization (TAC) technology provides scale reduction of over 95+%. Testing was conducted under protocol based on DVGW W512 test to access control of scale formation.

Peak Flow Rates - Weights

	OF1465		OF1665	
Dry Weight	54 lbs.	31.8 kgs.	88 lbs.	30.8 kgs.
Service Weight	350 lbs.	158.8 kgs.	420 lbs.	190.6 kgs.

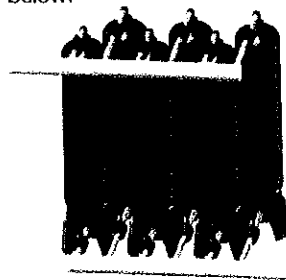
Maximum Flow Rate***		
Models	gpm	lpm
OF1465-50	50	189.3
OF1665-75	75	283.9

*** Exceeding maximum flow can reduce effectiveness and void warranty.

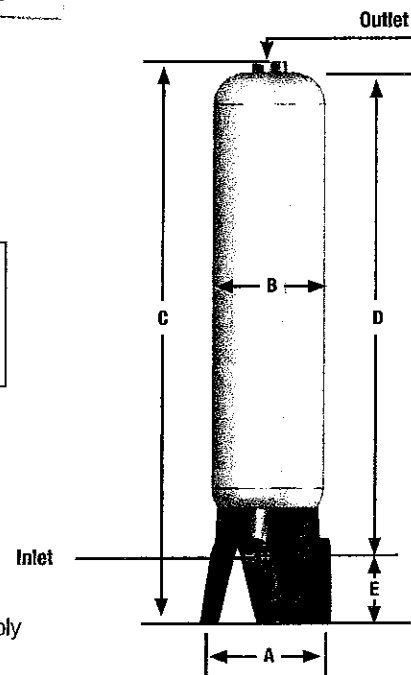
< 5 psi pressure drop @ Maximum Flow Rate

NOTICE

The information above shows flow rate data for our large single tanks (50gpm & 75gpm), high-flow applications with OneFlow utilize multiple tanks, plumbed in parallel, to meet flow rates from 100 gpm up to and above 1000gpm or more. An example of a multi-tank OneFlow system is shown below:



WQA Certified against NSF/ANSI Standard 61 and 372 for Lead Free.



Water Quality Association
MEMBER



USA: Tel: (800) 224-1299 • www.watts.com
Canada: Tel: (888) 208-8927 • www.watts.ca

© 2013 Watts