

TRAFFIC LIGHT TREE BID OPENING DATE 3-25-14		NUWAY CONCRETE FORMS INC	
		4190 HOFFMEISTER AVE ST LOUIS MO 63125	
ITEM#	SPECIFICATION	MEET SPECIFICATIONS?	
		YES	NO
1	Engine- Liquid Cooled Diesel Engine capable of operating at varied temperatures, with dry type cartridge filter	X	
2	Controls-Hour Meter	X	
3	Controls-Automatic low oil/high temp shut down system	X	
4	Electrical-Individual floodlight circuits with breakers-and commercial grade wiring.	X	
5	Electrical- Ballast indicator lights	X	
6	Electrical- Start limit breakers to make sure there are no load conditions before starting.	X	
7	Electrical- Standard individually breakered convenience outlets	X	
8	Floodlights- Four light fixtures-1000 watts each with oval aluminum reflector and tempered glass	X	
9	Mast- 30' maximum extensions with guides and coiled mast cord	X	
10	Trailer-Mast support, removable tongue, and steel frame	X	
11	Trailer-Adjustable leveling jacks	X	
12	Hours-Engine must have less than 500 hours	X	
13	Quality-Quality commercial grade construction	X	
14	Security-Removable Tongue to prevent theft	X	
15	Safety-Describe any safety features in Exceptions		
16	Delivery or Pick-up Prep Charges indicate in Exceptions		
	Quantity 1		
	Units x \$	\$6,750.00	
	Each Equals	\$6,750.00	
	Total Bid Amount	\$6,750.00	
	Manufacturer	Magnum	
	Model Number	MLT3060	
	Available Accessories (including Optional Features, Software, Maintenance and Services) Attach additional pricing if necessary.		
	\$ Each		
	\$ Each		
	\$ Each		
	\$ Each		
	Guaranteed shipping days after receipt of order including weekends and holidays	3	
	Terms	Net 30 Days	
	Price Guaranteed For # of Calendar Days	90	
	AFFIDAVIT COMPLETED	YES	
	COPY OF INSURANCE PROVIDED	NO	
	COMMENTS:	Line 12-Guarantee until will have less than 200 hours, Corporation is checked (pg 15), See attached sheets for product information. (Addendum was to extend bid to 3/25/14 and bid was turned in twice, once on 3/11/14 and then again on 3/25/14.)	



JEFFERSON COUNTY
DEPARTMENT OF ADMINISTRATIVE SERVICES
 729 MAPLE ST / PO BOX 100
 HILLSBORO MO 63050
 WWW.JEFFCOMO.ORG

Request for Proposal: TRAFFIC LIGHT TREE

Date Issued: 2-7-14

PROPOSALS SHALL BE ACCEPTED UNTIL: TUESDAY, MARCH 11, 2014, AT 2:00 P.M. LOCAL TIME.

Specification
Contact: LT. DAVE MARSHAK
 Department of the Sheriff
 636-797-5023

Contract
Contact: VICKIE PRATT
 Department of Administrative Services
 636-797-5382

**Mail (3) Three
 Complete Copies
 With Vendor And
 Proposal
 Information As
 Shown In Sample:**

SAMPLE ENVELOPE

VENDOR NAME	
VENDOR ADDRESS	
CONTACT NUMBER	DEPARTMENT OF THE COUNTY CLERK
	JEFFERSON COUNTY MISSOURI
	729 MAPLE ST / PO BOX 100
	HILLSBORO MO 63050-0100
SEALED PROPOSAL: (PROPOSAL NAME)	

Contract Term:
 upon approval by
 the County Council
 and County
 Executive

The undersigned certifies that he/she has the authority to bind this company in an agreement/contract to supply the commodity or service in accordance with all terms, conditions, and pricing specified. This Proposal, if accepted, will constitute an Agreement and Contract with Jefferson County, Missouri, upon approval of the County Council and County Executive. Prices are firm during this agreement term, unless agreed upon in writing by the County. The County has the option to renew this agreement at the same terms and conditions as the original agreement for one additional one-year term with the written consent of the successful bidder. Price increases for renewals are not authorized unless approved in writing by the County.

**Vendor
 Information:**

<u>NUNNAY CONCRETE FORMS, INC.</u>	<u>ANDY SMITH</u>
Company Name	Authorized Agent (Print)
<u>4190 HOFFMEISTER AVE</u>	<u>[Signature]</u>
Address	Signature
<u>ST. LOUIS MO 63125</u>	<u>ACCOUNT MANAGER</u>
City/State/Zip Code	Title
<u>314-565-6970</u>	<u>02-19-14</u>
Telephone #	Date
	<u>43-0717119</u>
	Tax ID #
<u>ASAMETH@NUNNAYENC.COM</u>	<u>314-544-1656</u>
E-mail	Fax #

[] Mark here if any additional pages of exceptions are to be attached as part of this bid.
Bidder's Offering for directional radar trailers

NUWAY CONCRETE (Bidder) hereby submits the following bid for the above specifications. By my signature below, I am authorized to sign this bid and obligate the bidder to the offering, the terms and conditions, implied and included. If I am not the manufacturer of the item(s) bid, I am an authorized reseller, distributor or other legal representative of the manufacturer for the purpose of this bid and have the ability to deliver the product bid.

1 (qty) units X \$ 6750.00 each equals \$ 6750.00 total

Total bid amount \$ 6750.00
(if quantity discounts are offered, indicate on attachment and [] check here)

MAGNUM (manufacturer) MLT3060 (model number)

Available Accessories (including Optional Features, Software, Maintenance and Services)
Attach additional pricing pages if necessary.

_____ \$ _____ each
_____ \$ _____ each
_____ \$ _____ each
_____ \$ _____ each

corporation, [] partnership, [] sole proprietor, [] individual
[] manufacturer, [] distributor, [] agent, [] other _____

3 (guaranteed shipping days after receipt of order including weekends and holidays)

Terms: NET 30 DAYS Prices guaranteed for 90 calendar days

NUWAY CONCRETE FORMS (legal name of bidder)
_____ (DBA if appropriate)

43-0717119 (FIN or SS number) _____ (signature of bidder)

JOE WIBBENMEYER GMGR (printed name and title)

4190 Hoffmeister (address)

St Louis MO 63115 (city, state, zip)

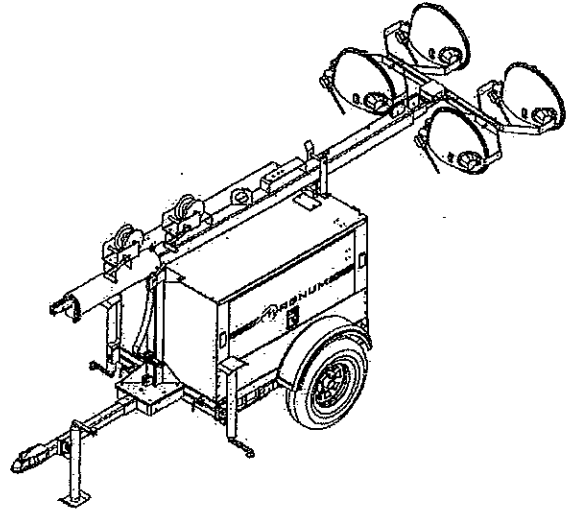
314 544 1214 (phone) 800 542 1214 (toll free) 314 544 1656 (fax)

Note all Exceptions taken on previous page (if none so state)

Magnum Light Tower – MLT3060 Specifications

ENGINE

- Kubota® D1005-E3BG1-MGM-1 - liquid cooled, diesel engine
 - Standby - 13.1 hp @ 1800 rpm
 - Prime - 11.7 hp @ 1800 rpm
 - 3 cylinder
 - 1.0 L displacement
- Fuel consumption (prime) – 0.50 gph (1.89 Lph)
- 60 Hz engine/generator
- Industrial engine exhaust system
- Rubber vibration dampers isolate engine/generator from frame
- Cooling system capable of operating at 120°F ambient
- Full flow oil filter, spin on type
- Fuel filter with replaceable element
- Dry type cartridge air filter
- Polyethylene fuel tank with large diameter opening
 - 30 gal. capacity
 - 60 hr. run capacity
 - 3 ½" fill port



ENGINE CONTROLS

- Engraved, aluminum punched and anodized control panel
- Four position keyed switch – glow plugs (preheat, off, run, start)
- Hour meter
- Automatic low oil/high temperature shutdown system

GENERATOR

- Marathon Electric®
 - Brushless
- 6 kW standby output
- 120/240 VAC – 50/25A
- +/-6% capacitor voltage regulation

ELECTRICAL SYSTEM AND CONTROLS

- Individual floodlight circuits with 15A breakers
- Ballast indicator lights
- 30A start limit breaker (assures no load condition exists before starting)
- Standard individually breakered convenience outlets:
 - (1) 120 VAC 20 Amp GFCI duplex outlets (Nema 5-20R type)
 - (1) 240 VAC 30 Amp twistlock outlets (Nema L6-30R type)
- 440 CCA wet cell battery



FLOODLIGHTS

- Four light fixtures – 1000 watts each - metal halide
- Oval aluminum reflector
- Tempered glass lens
- Silicone gaskets for moisture and dust protection
- Individual floodlight On/Off switches

WIRING

- All wiring is sized to the amperage draw required
- AC & DC wiring diagrams are provided

MAST

- 30' maximum extension, 3-section, tubular steel
- Urethane guides on all sides of mast tubes
- Industrial black powder coat finish
- Automatic locking system in horizontal position for travel
- 1500 lb. automatic self-braking winches
- 360° rotation with locking system
- Coiled mast cord
- Dual winch system located at ergonomic height allowing single person operation
- Equipped with single lifting eye and fork pockets

ENCLOSURE

- Steel enclosure – 14-gauge
 - UV& fade resistant, high temperature cured, white polyester powder paint
 - 68 dB(A) at 23 feet – prime power
- Stainless steel hinges on doors
- Multi-lingual operating/safety decals
- License plate holder with light
- Manual holder with operating manual

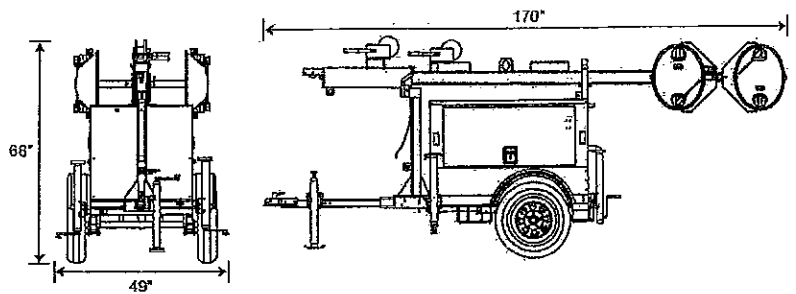
TRAILER

- Mast support - 3" square tube, 1/4" wall
- Removable tongue - 48" long
- Tubular steel frame - 3/16" wall
- Four, 2000 lb. adjustable leveling jacks – 4 point stance
- All jacks transport and lock in horizontal position for storage
- Side outriggers - 8' 1/4" span
- Safety chains with spring loaded safety hooks
- 2" ball hitch
- Single wall polyethylene fenders
- DOT approved tail, side, brake, and directional lights
 - Recessed rear lights
- 2200 lb. leaf spring axle
- ST175/80D13 – 6 ply
- 40.75 in. axle span



WEIGHTS & DIMENSIONS

- Dry weight: 1657 lbs (752 kg)
- Operating weight: 1870 lbs (848 kg)
- Mast stowed: 170 x 49 x 68 in (4.32 x 1.25 x 1.73 m)



WARRANTY

- Engine and generator covered under OEM warranty – consult factory for details.

CERTIFICATIONS

- CSA certified

MLT3060 Options

COOLANT OPTIONS

- ◆ 60/40 Coolant, 60% Ethylene glycol

ENGINE OPTIONS

- ◆ Heated fuel filter
- ◆ Oil drain valve kit
- ◆ Lower radiator hose – engine heater

ELECTRICAL CONTROLS OPTIONS

- ◆ 720 CCA wet cell battery
- ◆ 720 CCA gel cell battery
- ◆ 775 sealed AGM battery
- ◆ Battery disconnect
- ◆ Battery charger – 2A trickle
- ◆ Autolight controller

CABINET OPTIONS

- ◆ Interior cabinet light
- ◆ Level indicator

HITCH OPTIONS

- ◆ 2.5" lunette ring
- ◆ 3" lunette ring
- ◆ 3" HD lunette ring
- ◆ 2 5/16" ball
- ◆ Combination hitch – 2.5" lunette ring / 2" ball

